

0CI00-M46700EN

Contents

Fig. No. Fig. Name

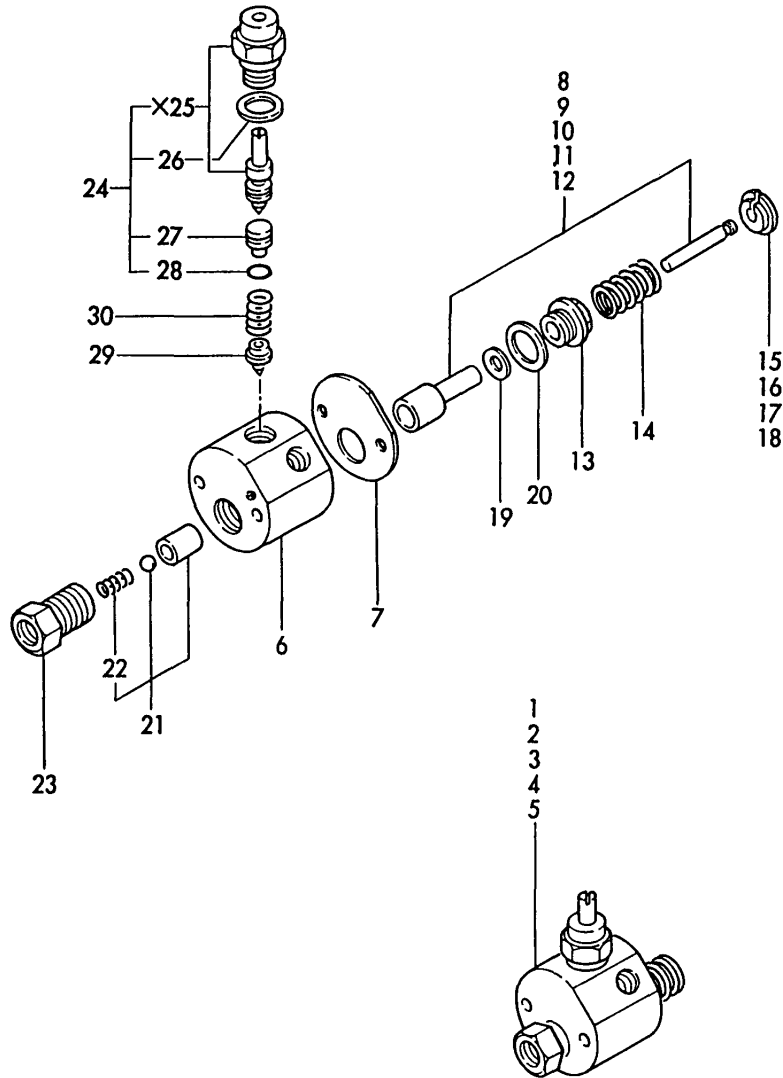
Fig. No. Fig. Name

SS TYPE

1. F.I.PUMP TYPE DECKEL
2. F.I.PUMP TYPE YPF-B (1/2)
3. F.I.PUMP TYPE YPF-B (2/2)
4. F.I.PUMP TYPE YPFE-M
5. F.I.PUMP TYPE YPFR-AW
6. F.I.PUMP TYPE YPFR-M
7. F.I.PUMP TYPE YPFR-1K
8. F.I.PUMP TYPE YPFR-0707-1
9. F.I.PUMP TYPE YPFR-0807-1
10. UNIT INJECTRE TYPE YU1-M
11. F.I.PUMP TTPE YPFR-2K
12. F.I.PUMP TYPE YPFR-0707-2
13. F.I.PUMP TYPE YPFR-0707M-2
14. F.I.PUMP TYPE YPFR-3K
15. F.I.PUMP TYPE YPFR-0707-3
16. F.I.PUMP TYPE YPFR-0707M-3

Fig.1. F.I.PUMP TYPE DECKEL

Fig. 1 FUEL INJECTION PUMP (TYPE : DEKEL)



(A)=DECKEL
(B)=DECKEL
(C)=DECKEL

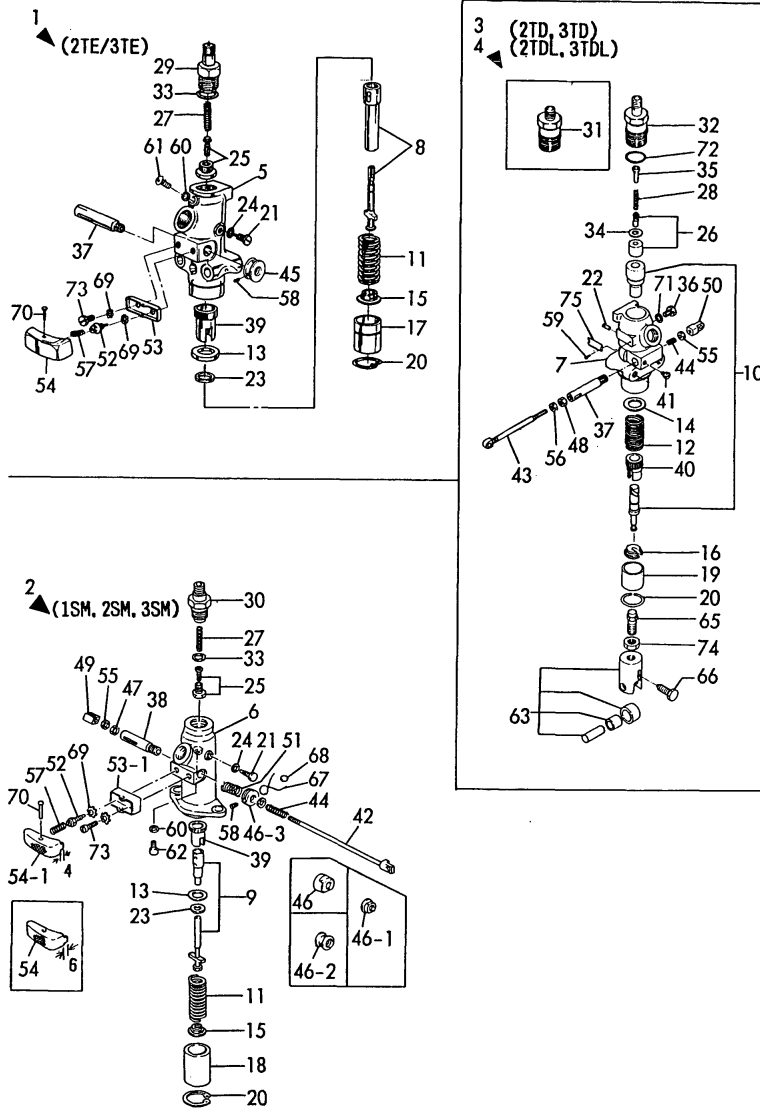
(D)=DECKEL
(E)=DECKEL
(F)=

No.	Lev.	Parts No.	Description	Q'ty						I	R
				(A)	(B)	(C)	(D)	(E)	(F)		
1	1	704100-51700	PUMP ASSY, INJECTION	1							
2	1	704200-51700	PUMP ASSY, INJECTION		1						
3	1	704300-51700	PUMP ASSY, INJECTION			1					
4	1	704500-51700	PUMP ASSY, INJECTION					1			
5	1	704700-51700	PUMP ASSY, INJECTION						1		
6	2	101158-51010	BODY, FUEL PUMP	1	1	1	1	1			
7	2	101158-51030	GASKET	1	1	1	1	1			
8	2	101104-51101	PLUNGER ASSY	1							
9	2	102501-51100	PLUNGER ASSY						1		
10	2	102700-51100	PLUNGER ASSY					1			
11	2	104200-51100	PLUNGER ASSY		1						
12	2	101204-51140	PLUNGER ASSY			1					
13	2	102100-51150	SCREW	1	1	1	1	1			
14	2	101400-51160	SPRING, PLUNGER	1	1	1	1	1			
15	2	101204-51170	WASHER, SPRING			1					
16	2	102501-51170	WASHER, SPRING					1	1		
17	2	104200-51170	WASHER, SPRING		1						
18	2	172100-51171	WASHER, SPRING	1							
19	2	172100-51190	GASKET	1	1	1	1	1			
20	2	172100-51290	GASKET	1	1	1	1	1			
21	2	101300-51300	VALVE ASSY, DELIVERY	1	1	1	1	1			
22	3	101300-51330	SPRING, DELIVERY	1	1	1	1	1			
23	2	172100-51340	RETAINER	1	1	1	1	1			
24	2	704200-51550	REGULATOR ASSY	1	1	1	1	1			
26	3	174100-51440	GASKET, REGULATOR	1	1	1	1	1			
27	3	104200-51450	PIECE	1	1	1	1	1			
28	3	104200-51460	O-RING	1	1	1	1	1			
29	2	171590-51420	NEEDLE, REGULATOR	1	1	1	1	1			
30	2	171590-51430	SPRING	1	1	1	1	1			

Fig.2. F.I.PUMP TYPE YPF-B (1/2)

(A)=YPF-B
(B)=YPF-B
(C)=YPF-B
(D)=YPF-B
(E)=
(F)=

Fig.2 FUEL INJECTION PUMP
(TYPE : YPF-B(1/2))

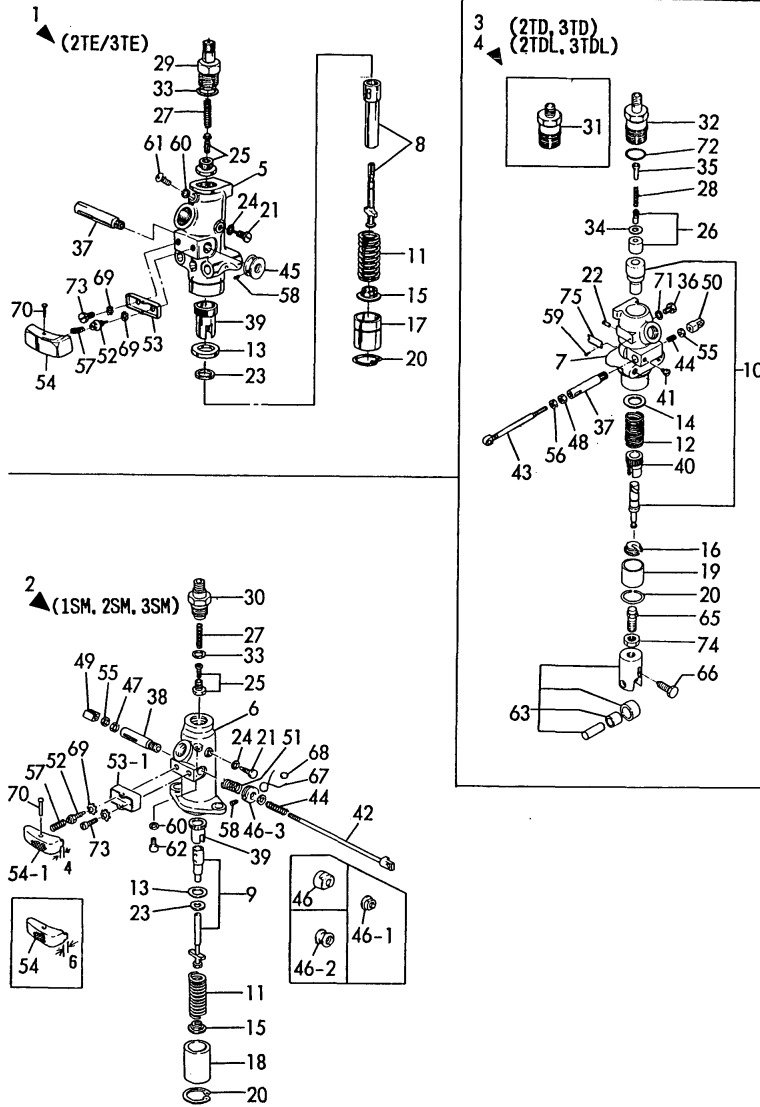


No.	Lev.	Parts No.	Description	Qty						I	R
				(A)	(B)	(C)	(D)	(E)	(F)		
1	1	723220-51100	PUMP ASSY, INJECTION	1							
2	1	722310-51100	PUMP ASSY, INJECTION		1						
3	1	723340-51100	PUMP ASSY, INJECTION			1					
3-1	1	723340-51101	PUMP ASSY, INJECTION			1					S
		(A=E0006) (B=E0006) (C=E0101)									
4	1	723345-51100	PUMP ASSY, INJECTION						1		
5	2	123220-51092	BODY, FUEL I. PUMP	1							
6	2	122310-51091	BODY, FUEL PUMP		1						
7	2	123220-51092	BODY, FUEL I. PUMP			1	1				
8	2	123110-51100	PLUNGER ASSY	1							
9	2	122310-51100	PLUNGER ASSY		1						
10	2	105990-51100	PLUNGER ASSY			1					
10-1	2	123340-51100	PLUNGER ASSY			1	1				S
		(A=E0006) (B=E0006) (C=E0101)									
11	2	174200-51161	SPRING, PLUNGER	1	1						
12	2	105990-51180	SPRING, PLUNGER			1					
12-1	2	123340-51180	SPRING, PLUNGER			1	1				S
		(C=*)									
13	2	174200-51180	RETAINER	1	1						
14	2	105990-51190	RETAINER, SPRING A			1	1				
15	2	124210-51170	WASHER, SPRING	1	1						
16	2	123340-51290	RETAINER, SPRING			1	1				
17	2	123110-51200	GUIDE, PLUNGER	1							
18	2	124210-51200	GUIDE, PLUNGER		1						
19	2	123340-51200	GUIDE, PLUNGER			1	1				
20	2	123110-51240	CIRCLIP	1	1	1	1				
21	2	122510-51250	STOPPER	1	1						
22	2	103854-51251	PIN, PLUNGER			1	1				
23	2	174200-51260	GASKET	1	1						
24	2	174200-51280	PACKING	1	1						
25	2	174200-51300	VALVE ASSY, DELIVERY	1	1						
26	2	121952-51300	VALVE ASSY, DELIVERY			1	1				
27	2	122117-51330	SPRING, VALVE	1	1						
28	2	121952-51330	SPRING, DELIVERY			1	1				
29	2	123220-51340	RETAINER, SPRING	1							
30	2	120220-51340	SCREW		1						
31	2	124410-51341	RETAINER			1					
32	2	123345-51340	HOLDER						1		
33	2	174200-51350	BUSH, RACK	1	1						
34	2	124410-51350	GASKET, DELIVERY			1	1				
35	2	121952-51370	STOPPER, VALVE			1	1				
36	2	123340-51400	DEFLECTOR			1	1				
37	2	123220-51502	RACK, CONTROL	1		1	1				
38	2	122310-51501	RACK, CONTROL		1						
39	2	123110-51510	SLEEVE, PINION	1	1						
40	2	123340-51550	SLEEVE, PINION			1	1				
41	2	120220-51520	PIN			1	1				
42	2	122510-51530	SHAFT		1						
43	2	123220-51600	SHAFT			1	1				
44	2	122310-51540	SPRING		1	1	1				
45	2	123220-51552	LIMITER, RACK	1							

Remarks
(B) D22310-51100
(C) D23340-51100, D23340-51101
(D) D23345-51100

Fig.2. F.I.PUMP TYPE YPF-B (1/2)

Fig.2 FUEL INJECTION PUMP
(TYPE : YPF-B(1/2))



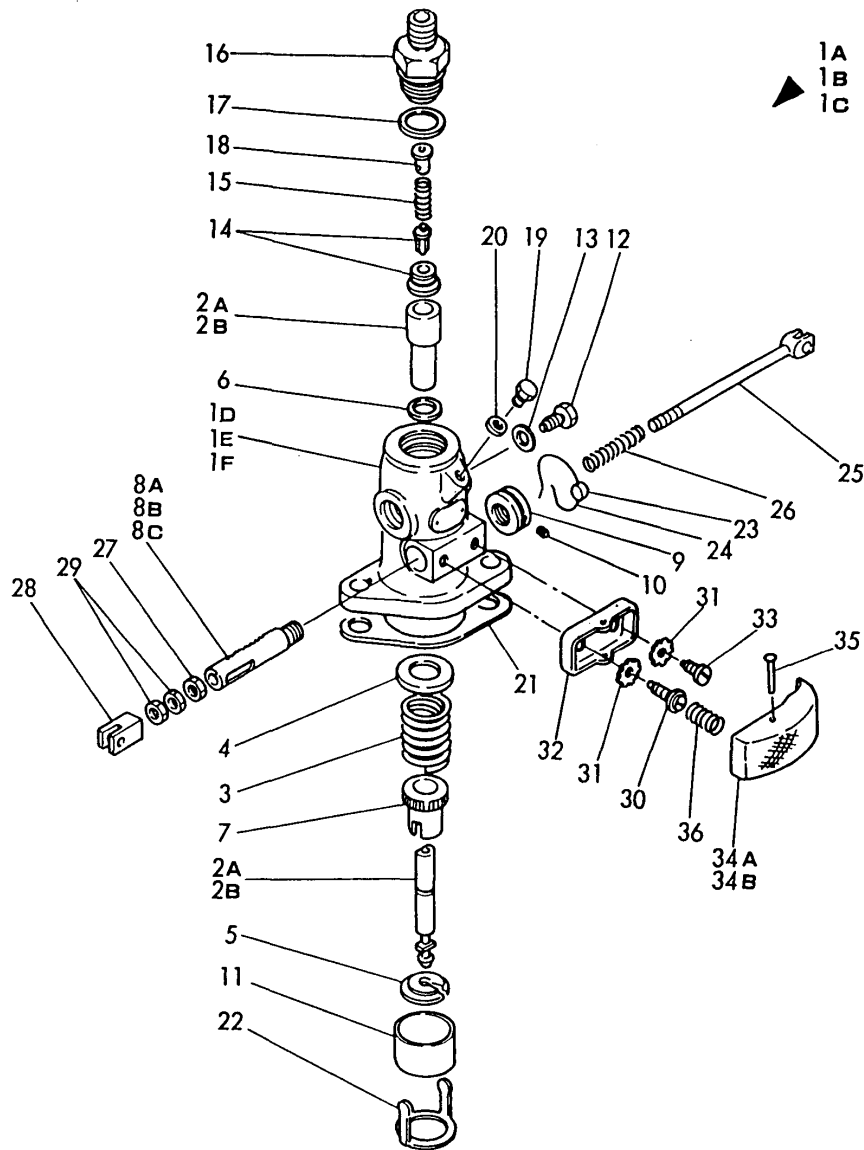
(A)=YPF-B
(B)=YPF-B
(C)=YPF-B
(D)=YPF-B
(E)=
(F)=

No.	Lev.	Parts No.	Description	Qty						I	R
				(A)	(B)	(C)	(D)	(E)	(F)		
46	2	122310-51550	PINION		1						
46-1	2	123220-51550	RACK, CONTROL		1						
46-2	2	123220-51551	RING		1						
46-3	2	122500-51551	LIMITER, RACK		1						
47	2	122510-51560	NUT		1						
48	2	124210-51560	NUT			1	1				
49	2	122310-51570	JOINT, 2-WAY		1						
50	2	123220-51620	JOINT			1	1				
51	2	122500-51580	SPRING, RACK		1						
52	2	125310-51620	PIN	1	1						
53	2	123220-51630	RETAINER	1	1						
53-1	2	123220-51631	RETAINER		1						
54	2	122310-51640	STOPPER	1	1						
54-1	2	122500-51640	RETAINER		1						
55	2	123320-51640	NUT		2	1	1				
56	2	123310-51650	NUT			1	1				
57	2	125110-51650	SPRING	1	1						
58	2	125410-51850	BOLT	1	1						
59	2	124220-51890	RIVET			2	2				
60	2	180110-51910	GASKET, PLUG	1	1						
61	2	101720-55750	PLUG, 6	1							
62	2	172100-55620	PLUG		1						
63	2	123340-51020	ROLLER ASSY			1	1				
65	2	123340-51250	SCREW			1	1				
66	2	123340-51260	SCREW			1	1				
67	2	135210-61100	WIRE		1						
68	2	135210-61090	LEAD		1						
69	2	22232-050000	WASHER, SPRING 5	2	2						
70	2	22621-200200	RIVET, 2.0X20	1	1						
71	2	23414-080012	GASKET, 8X1.0			1	1				
72	2	24312-000210	SPRING WASHER 5			1	1				
73	2	26547-050062	SCREW M 5X 6	1	1						
74	2	26776-100002	NUT, LOCK M10			1	1				

Remarks
(B) D22310-51100
(C) D23340-51100, D23340-51101
(D) D23345-51100

Fig.3. F.I.PUMP TYPE YPF-B (2/2)

Fig.3 FUEL INJECTION PUMP (TYPE : YPF-B)



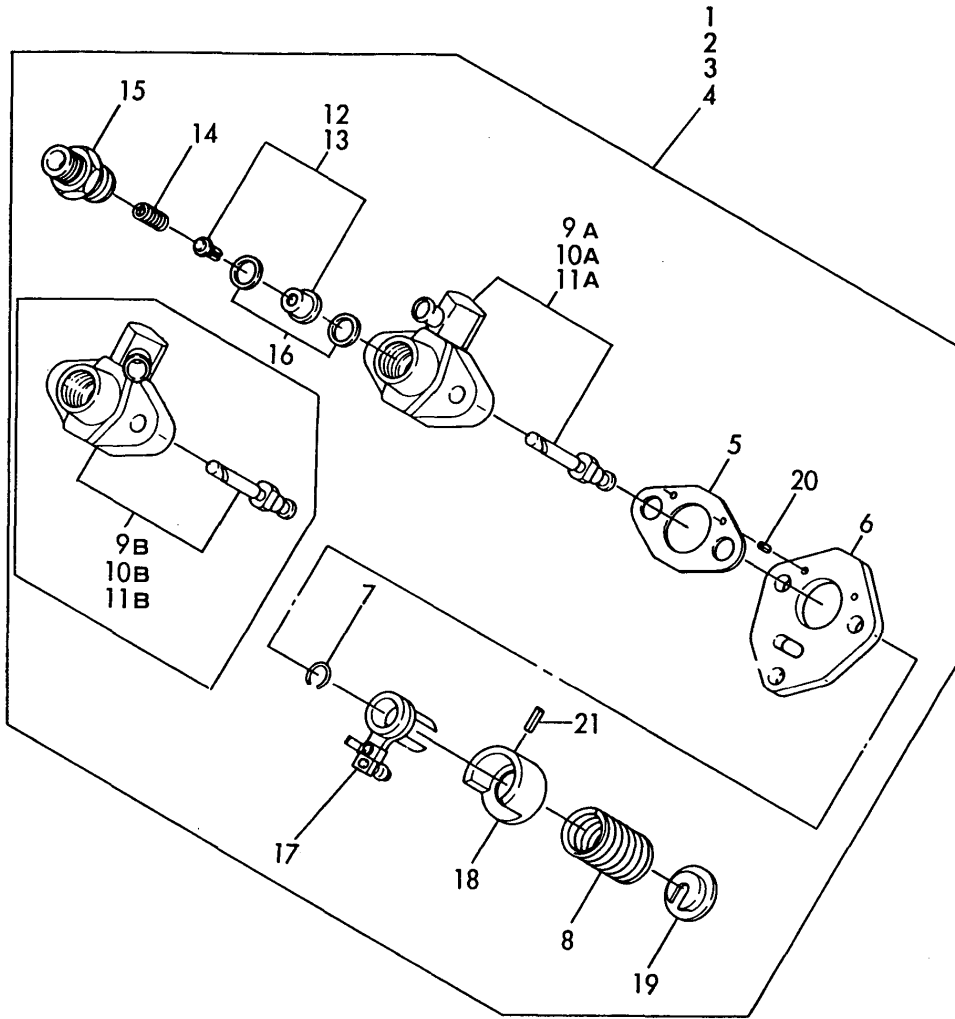
(A)=
(B)=
(C)=YPF-B

(D)=YPF-B
(E)=YPF-B
(F)=

No.	Lev.	Parts No.	Description	Q'ty						I	R
				(A)	(B)	(C)	(D)	(E)	(F)		
1A	1	725310-51704	PUMP ASSY, INJECTION			1					
1B	1	725410-51702	PUMP ASSY, INJECTION				1				
1C	1	725413-51702	PUMP ASSY, INJECTION						1		
1D	2	125310-51091	BODY, FUEL PUMP			1					
1E	2	125410-51090	BODY, FUEL PUMP				1				
1F	2	125413-51050	BODY, FUEL PUMP							1	
2A	2	125310-51100	PLUNGER ASSY			1	1				
2B	2	126410-51100	PLUNGER ASSY						1		
3	2	180110-51160	SPRING, PLUNGER			1	1	1			
4	2	180110-51180	RETAINER			1	1	1			
5	2	180110-51170	WASHER, SPRING			1	1	1			
6	2	180110-51270	PACKING			1	1	1			
7	2	125110-51510	PINION			1	1	1			
8A	2	125310-51502	RACK, CONTROL			1					
8B	2	125410-51500	RACK, CONTROL					1			
8C	2	126410-51500	RACK, CONTROL							1	
9	2	125410-51551	LIMITER, RACK			1	1	1			
10	2	125410-51850	BOLT			1	1	1			
11	2	125110-51200	GUIDE, PLUNGER			1	1	1			
12	2	103200-51250	STOPPER			1	1	1			
13	2	23414-060000	GASKET, 6X1.0			1	1	1			
14	2	122117-51300	VALVE ASSY, DELIVERY			1	1	1			
15	2	125335-51330	SPRING, DELIV. VALVE			1	1	1			
16	2	125335-51341	RETAINER			1	1	1			
17	2	122117-51350	WASHER			1	1	1			
18	2	125335-51671	STOPPER, VALVE			1	1	1			
19	2	120220-51900	PLUG			1	1	1			
20	2	180110-51910	GASKET, PLUG			1	1	1			
21	2	125110-51950	PACKING			1	1	1			
22	2	125110-51800	RETAINER			1	1	1			
23	2	135210-61090	LEAD			1	1	1			
24	2	135210-61100	WIRE			1	1	1			
25	2	125310-51531	SHAFT			1	1	1			
26	2	125310-51540	SPRING			1	1	1			
27	2	125310-51561	NUT, M5			1	1	1			
28	2	125310-51571	JOINT, 2-WAY			1	1	1			
29	2	125310-66280	NUT			2	2	2			
30	2	125310-51620	PIN			1	1	1			
31	2	22232-050000	WASHER, SPRING 5			2	2	2			
32	2	125110-51630	RETAINER			1	1	1			
33	2	26541-050062	SCREW M 5X 6			1	1	1			
34A	2	125310-51640	BUTTON (B)			1					
34B	2	125410-51640	BUTTON (B)					1	1		
35	2	22621-200200	RIVET, 2.0X20			1	1	1			
36	2	125110-51650	SPRING			1	1	1			

Fig.4. F.I.PUMP TYPE YPFE-M

Fig.4 FUEL INJECTION PUMP
(TYPE : YPFE-M)



(A)=YPFE-M
(B)=YPFE-M
(C)=YPFE-M

(D)=YPFE-M
(E)=
(F)=

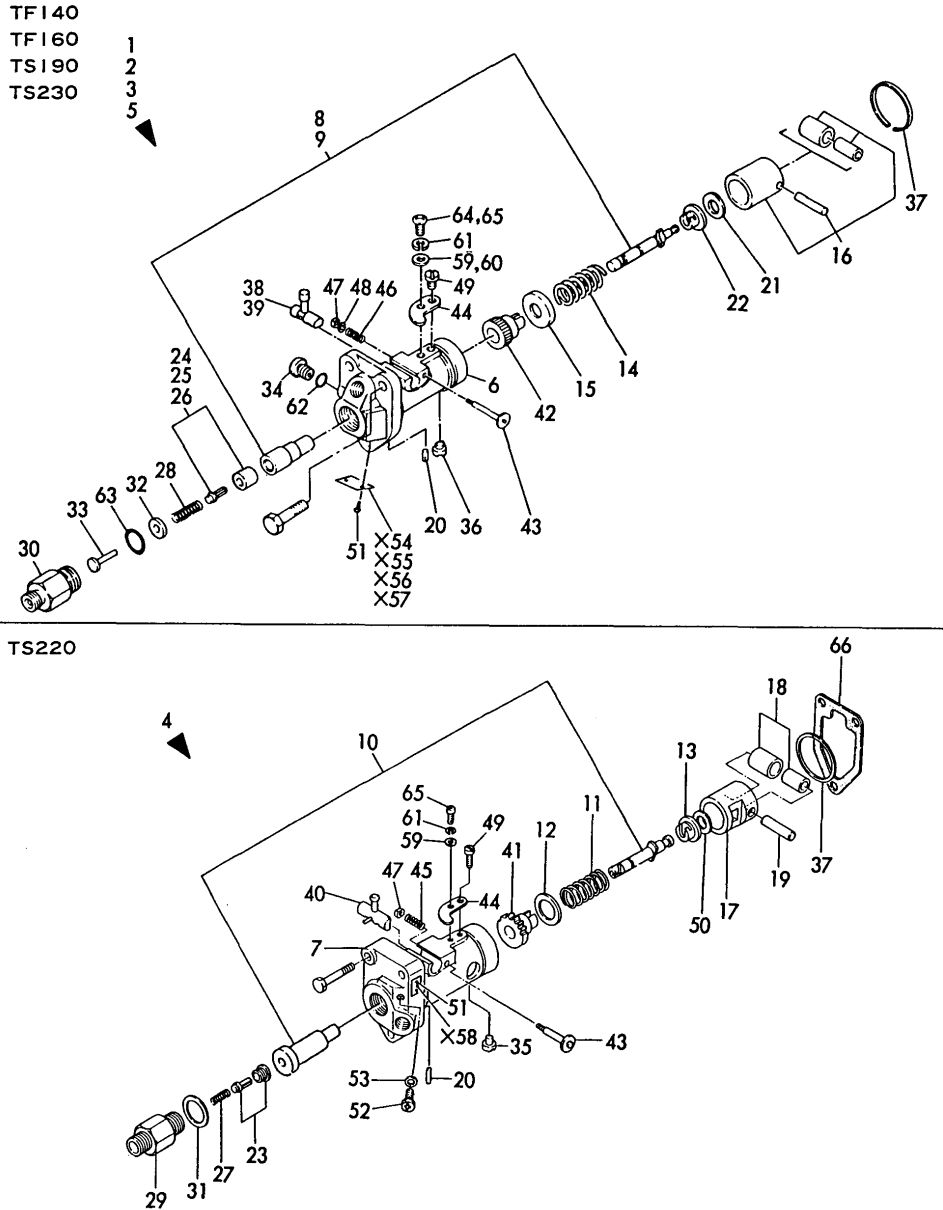
No.	Lev.	Parts No.	Description	Q'ty						I	R
				(A)	(B)	(C)	(D)	(E)	(F)		
1A	1	783250-51701	PUMP ASSY, INJECTION	1							
1B	1	714250-51710	PUMP ASSY, INJECTION	1							
2A	1	783350-51701	PUMP ASSY, INJECTION		1						
2B	1	714350-51710	PUMP ASSY, INJECTION		1						
3A	1	783550-51700	PUMP ASSY, INJECTION			1					
3B	1	714550-51700	PUMP ASSY, INJECTION			1					
4A	1	783650-51700	PUMP ASSY, INJECTION						1		
4B	1	714650-51700	PUMP ASSY, INJECTION						1		
5	2	105546-51020	GASKET	1	1	1	1				
6	2	114250-51080	PLATE	1	1	1	1				
7	2	114250-51150	RING, SNAP	1	1	1	1				
8	2	114250-51160	SPRING, PLUNGER	1	1	1	1				
9A	2	183250-51200	BODY ASSY, PUMP	1							
9B	2	114250-51200	BODY ASSY, PUMP	1							
10A	2	183350-51200	BODY ASSY, PUMP		1						
10B	2	114350-51200	BODY ASSY, PUMP		1						
11A	2	183650-51100	BODY ASSY, PUMP			1	1				
11B	2	114650-51100	BODY ASSY, PUMP			1	1				
12	2	114250-51300	VALVE ASSY, DELIVERY	1	1						
13	2	114650-51300	VALVE ASSY, DELIVERY			1	1				
14	2	105546-51330	SPRING, DELIVERY	1	1	1	1				
15	2	114250-51340	HOLDER, DELIVERY	1	1	1	1				
16	2	124550-51350	GASKET, DELIVERY	2	2	2	2				
17	2	114250-51600	LEVER ASSY, CONTROL	1	1	1	1				
18	2	114250-51640	SEAT, SPRING A	1	1	1	1				
19	2	114250-51650	SEAT, SPRING B	1	1	1	1				
20	2	22351-020006	PIN, SPRING 2.0X 6	2	2	2	2				
21	2	22351-030008	PIN, SPRING 3.0X 8	1	1	1	1				

Remarks

- 1A=YDG2000E 1B=L40E
- 2A=YDG3000E 2B=L60E
- 3A=YDG3800E 3B=L75E
- 4A=YDG4500E 4B=L90E

Fig.5. F.I.PUMP TYPE YPFR-AW

Fig. 5 FUEL INJECTION PUMP (TYPE : YPFR-AW)



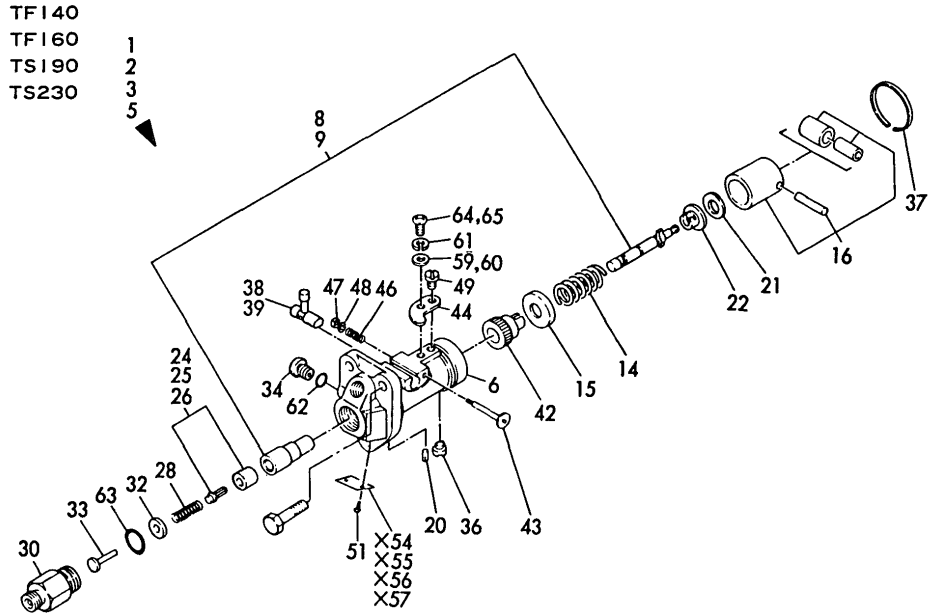
(A)=YPFR-AW
(B)=YPFR-AW
(C)=YPFR-AW

(D)=YPFR-AW
(E)=YPFR-AW
(F)=

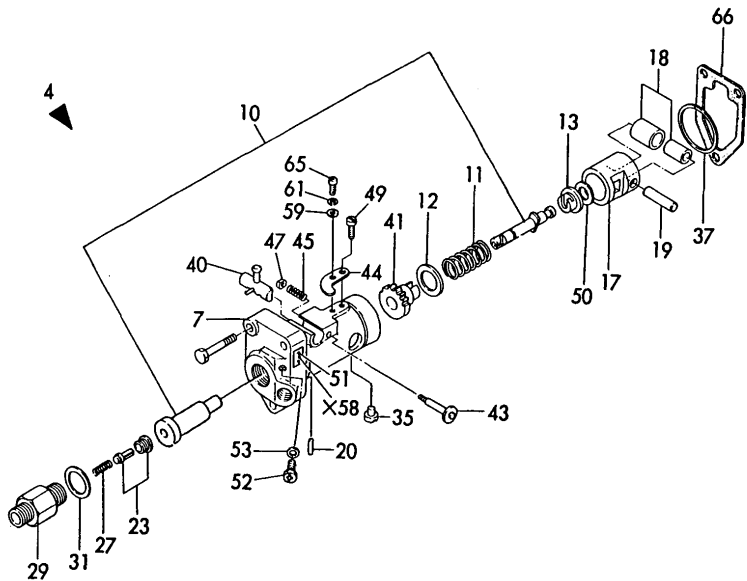
No.	Lev.	Parts No.	Description	Q'ty						I	R
				(A)	(B)	(C)	(D)	(E)	(F)		
1	1	705700-51100	PUMP ASSY, INJECTION	1							
2	1	705800-51100	PUMP ASSY, INJECTION		1						
3	1	705890-51700	PUMP ASSY, INJECTION			1					
4	1	706990-51700	PUMP ASSY, INJECTION					1			
5	1	705990-51701	PUMP ASSY, INJECTION						1		
6	2	105990-51011	BODY, FUEL PUMP	1	1	1		1			
7	2	103854-51020	BODY, FUEL PUMP					1			
8	2	105700-51100	PLUNGER ASSY	1	1						
9	2	105990-51100	PLUNGER ASSY			1			1		
10	2	106990-51101	PLUNGER ASSY					1			
11	2	103854-51160	SPRING, PLUNGER					1			
12	2	103854-51170	RETAINER					1			
13	2	103854-51180	RETAINER					1			
14	2	105990-51180	SPRING, PLUNGER	1	1	1			1		
15	2	105990-51190	RETAINER, SPRING A	1	1	1			1		
16	2	105990-51200	TAPPET ASSY	1	1	1			1		
17	2	103854-51200	GUIDE, PLUNGER					1			
18	2	711100-51540	ROLLER ASSY					1			
19	2	103854-51230	PIN, PLUNGER					1			
20	2	103854-51251	PIN, PLUNGER	1	1	1	1	1	1		
21	2	105990-51250	SHIM SET	1	1	1			1		
22	2	105990-51290	RETAINER, SPRING B	1	1	1			1		
23	2	103854-51300	VALVE ASSY, DELIVERY						1		
24	2	105700-51300	VALVE ASSY, DELIVERY	1	1						
25	2	121952-51300	VALVE ASSY, DELIVERY						1		
26	2	124412-51300	VALVE ASSY, DELIVERY			1					
27	2	174307-51320	SPRING, DELIVERY						1		
28	2	121952-51330	SPRING, DELIVERY	1	1	1			1		
29	2	103854-51341	HOLDER, DELIVERY						1		
30	2	105990-51340	HOLDER	1	1	1			1		
31	2	103854-51350	WASHER						1		
32	2	122710-51350	GASKET	1	1	1			1		
33	2	121952-51370	STOPPER, VALVE	1	1	1			1		
34	2	105990-51400	PLUG, DEFLECTOR	1	1	1			1		
35	2	103854-51450	STOPPER						1		
36	2	105990-51450	PIN	1	1	1			1		
37	2	103854-51460	CIRCLIP	1	1	1	1	1	1		
38	2	105891-51500	RACK ASSY, CONTROL	1	1						
39	2	105990-51500	RACK ASSY, CONTROL			1			1		
40	2	706990-51530	RACK ASSY, CONTROL					1			
41	2	103854-51510	PINION					1			
42	2	105990-51550	SLEEVE, PINION	1	1	1			1		
43	2	103854-51600	SHAFT	1	1	1	1	1	1		
44	2	103854-51610	PLATE	1	1	1	1	1	1		
45	2	103854-51620	SPRING					1			
46	2	105990-51621	SPRING	1	1	1			1		
47	2	103854-51650	SCREW	1	1	1	1	1	1		
48	2	105890-51650	SHIM					1			
49	2	103854-51660	SCREW	1	1	1	1	1	1		
50	2	174307-51700	SHIM SET						1		
51	2	124220-51890	RIVET	2	2	2	2	2	2		

Fig.5. F.I.PUMP TYPE YPFR-AW

Fig. 5 FUEL INJECTION PUMP (TYPE : YPFR-AW)



TS220



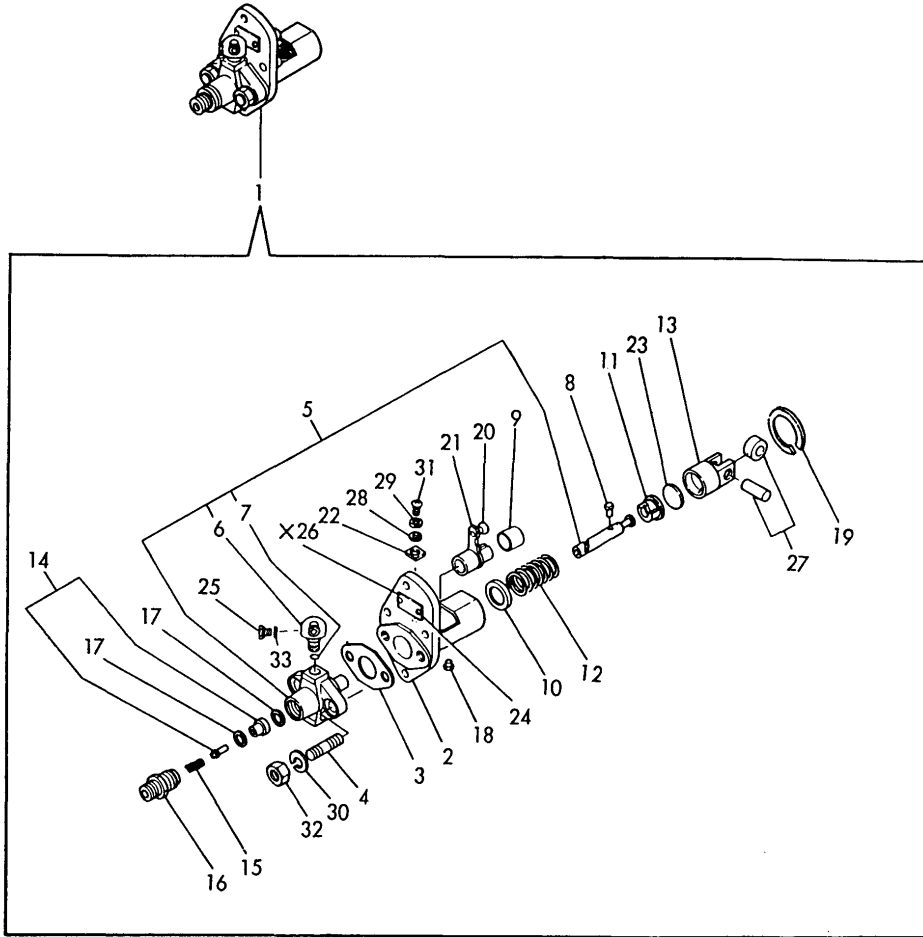
(A)=YPFR-AW
(B)=YPFR-AW
(C)=YPFR-AW

(D)=YPFR-AW
(E)=YPFR-AW
(F)=

No.	Lev.	Parts No.	Description	Q'ty						I	R
				(A)	(B)	(C)	(D)	(E)	(F)		
52	2	111154-51900	PLUG						1		
53	2	180110-51910	GASKET, PLUG						1		
59	2	22117-050000	WASHER, 5						1	1	
60	2	22137-050000	WASHER, 5						1		
61	2	22217-050000	WASHER, SPRING 5						1	1	1
62	2	24312-000060	O-RING, 2P6.0	1	1	1			1		
63	2	24312-000210	O-RING 2 P-21.0	1	1	1			1		
64	2	26033-050102	SCREW, M5X10	1	1						
65	2	26557-050082	SCREW, M5X 8						1	1	1
66	1	103854-51940	SHIM SET, ADJUSTING						1		

Fig.6. F.I.PUMP TYPE YPFR-M

Fig.6 FUEL INJECTION PUMP (TYPE : YPFR-M)



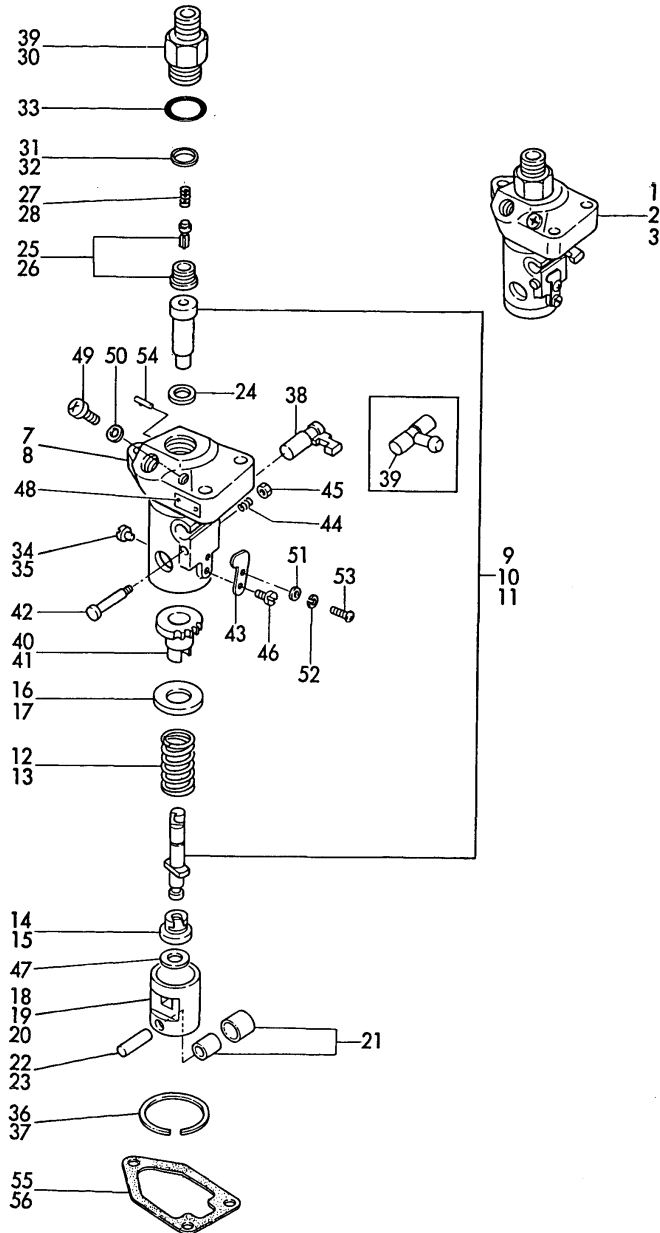
(A)=YPFR-M
(B)=
(C)=

(D)=
(E)=
(F)=

No.	Lev.	Parts No.	Description	Q'ty						I	R
				(A)	(B)	(C)	(D)	(E)	(F)		
1	1	705546-51700	PUMP ASSY, INJECTION	1							
2	2	105546-51010	MOUNT	1							
3	2	105546-51020	GASKET	1							
4	2	105546-51030	STUD, M8X20	2							
5	2	105546-51100	BODY ASSY	1							
6	3	105546-51170	JOINT, PIPE	1							
7	3	105546-51190	O-RING, 5-S	1							
8	2	105546-51140	PIN, PLUNGER	1							
9	2	105546-51150	COLLAR	1							
10	2	174307-51170	RETAINER, SPRING A	1							
11	2	174307-51181	RETAINER, SPRING B	1							
12	2	124950-51190	SPRING, PLUNGER	1							
13	2	174307-51200	GUIDE, PLUNGER	1							
14	2	105546-51300	VALVE ASSY, DELIVERY	1							
15	2	105546-51330	SPRING, DELIVERY	1							
16	2	105546-51340	HOLDER, DELIVERY	1							
17	2	124550-51350	GASKET, DELIVERY	2							
18	2	104271-51450	PIECE, GUIDE	1							
19	2	104271-51460	CIRCLIP	1							
20	2	105546-51550	PIN	1							
21	2	105546-51600	LEVER, CONTROL	1							
22	2	105546-51610	PLATE	1							
23	2	174307-51700	SHIM SET	1							
24	2	124220-51890	RIVET	2							
25	2	105546-51900	PLUG	1							
27	2	174100-54190	ROLLER ASSY, TAPPET	1							
28	2	22117-040000	WASHER, 4	1							
29	2	22217-040000	WASHER, SPRING 4	1							
30	2	22282-080000	WASHER 8	2							
31	2	26557-040102	SCREW, M4X10	1							
32	2	26726-080002	NUT, M8	2							
33	2	43400-500390	SEAL WASHER 6	1							

Fig.7. F.I.PUMP TYPE YPFR-1K

Fig.7 FUEL INJECTION PUMP
(TYPE : YPFR-1K)



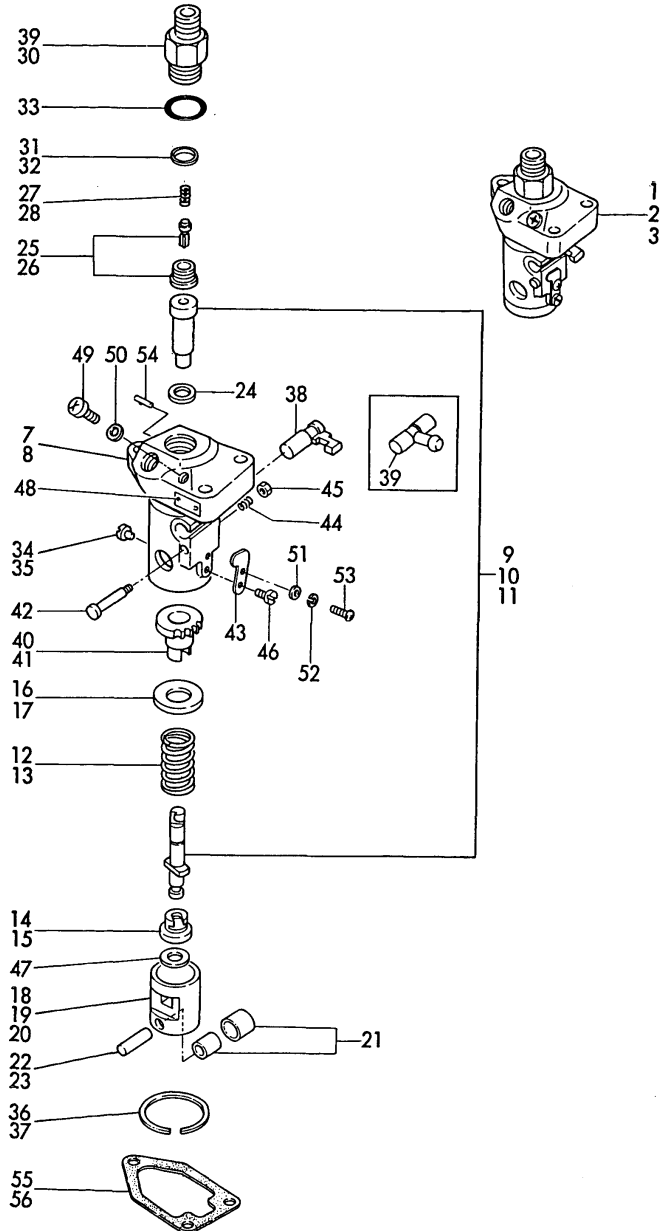
(A)=YPFR-1K
(B)=YPFR-1K
(C)=YPFR-1K

(D)=
(E)=
(F)=

No.	Lev.	Parts No.	Description	Q'ty						I	R
				(A)	(B)	(C)	(D)	(E)	(F)		
1	1	704800-51700	PUMP ASSY, INJECTION	1							
2	1	704271-51700	PUMP ASSY, INJECTION		1						
3	1	704571-51700	PUMP ASSY, INJECTION			1					
7	2	103854-51020	BODY, FUEL PUMP	1							
8	2	104271-51010	BODY, FUEL PUMP		1	1					
9	2	103854-51100	PLUNGER ASSY	1							
10	2	104271-51100	PLUNGER ASSY		1						
11	2	104571-51100	PLUNGER ASSY			1					
12	2	103854-51160	SPRING, PLUNGER	1							
13	2	124950-51190	SPRING, PLUNGER		1	1					
14	2	103854-51170	RETAINER	1							
15	2	174307-51170	RETAINER, SPRING A		1	1					
16	2	103854-51180	RETAINER	1							
17	2	174307-51181	RETAINER, SPRING B		1	1					
18	2	103854-51200	GUIDE, PLUNGER	1							
19	2	724550-51520	GUIDE, PLUNGER		1	1					
20	3	103854-51200	GUIDE, PLUNGER		1	1					
21	2	711100-51540	ROLLER ASSY	1	1	1					
22	2	103854-51230	PIN, PLUNGER	1							
23	2	174100-54120	PIN		1	1					
24	2	124950-51270	GASKET		1	1					
25	2	103854-51300	VALVE ASSY, DELIVERY	1							
26	2	124060-51300	VALVE ASSY, DELIVERY		1	1					
27	2	174307-51320	SPRING, DELIVERY	1							
28	2	124550-51320	SPRING, DELIVERY		1	1					
29	2	103854-51341	HOLDER, DELIVERY	1							
30	2	124550-51341	HOLDER, DELIVERY L43		1	1					
31	2	103854-51350	WASHER	1							
32	2	124550-51350	GASKET, DELIVERY		1	1					
33	2	124550-51370	O-RING		1	1					
34	2	103854-51450	STOPPER	1							
35	2	104271-51450	PIECE, GUIDE		1	1					
36	2	103854-51460	CIRCLIP	1							
37	2	104271-51460	CIRCLIP		1	1					
38	2	103954-51501	RACK, CONTROL	1							
39	2	104271-51500	RACK ASSY, CONTROL		1	1					
40	2	103854-51510	PINION	1							
41	2	124950-51510	PINION		1	1					
42	2	103854-51600	SHAFT	1							
43	2	103854-51610	PLATE	1							
44	2	103854-51620	SPRING	1							
45	2	103854-51650	SCREW	1							
46	2	103854-51660	SCREW	1							
47	2	174307-51700	SHIM SET		1	1	1				
48	2	124220-51890	RIVET	2	2	2					
49	2	111154-51900	PLUG	1							
50	2	180110-51910	GASKET, PLUG	1							
51	2	22117-050000	WASHER, 5	1							
52	2	22217-050000	WASHER, SPRING 5	1							
53	2	26557-050082	SCREW, M5X 8	1							
54	2	103854-51251	PIN, PLUNGER	1	1	1					

Fig.7. F.I.PUMP TYPE YPFR-1K

Fig.7 FUEL INJECTION PUMP
(TYPE : YPFR-1K)



(A)=YPFR-1K
(B)=YPFR-1K
(C)=YPFR-1K

(D)=
(E)=
(F)=

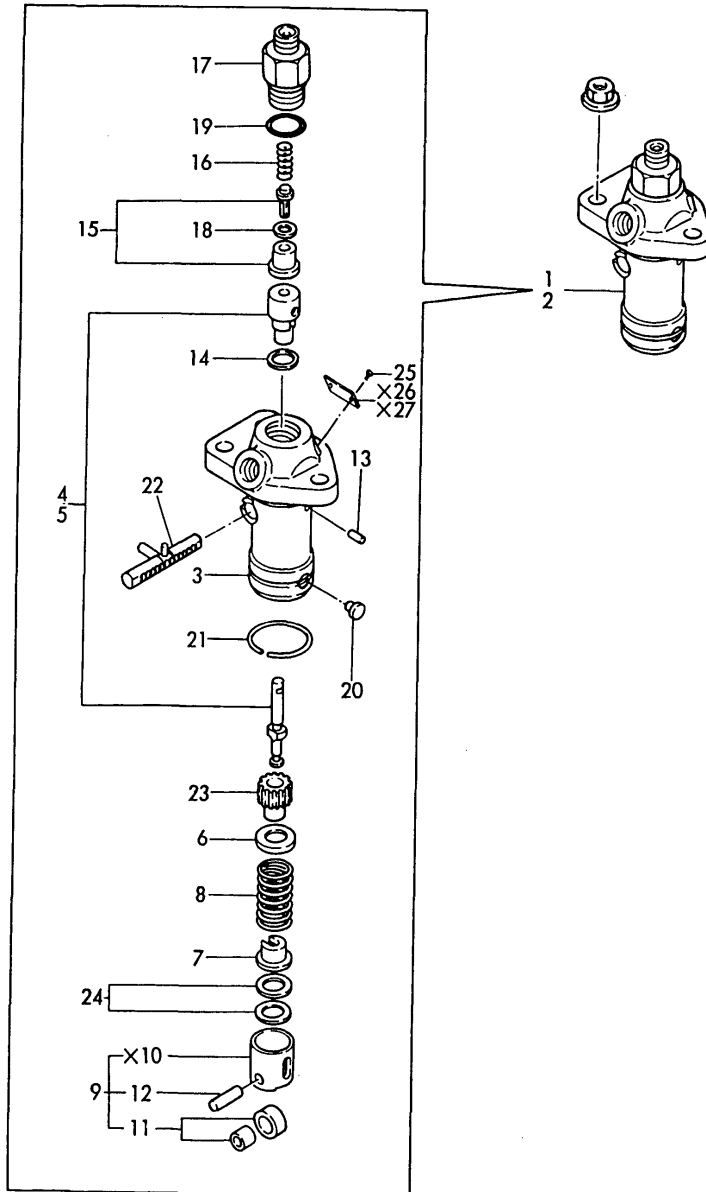
No.	Lev.	Parts No.	Description	Q'ty						I	R
				(A)	(B)	(C)	(D)	(E)	(F)		
55	1	103854-51940	SHIM SET, ADJUSTING	1							
56	1	104271-01950	SHIM SET,0.2X3,0.3X2		1	1					

Fig.8. F.I.PUMP TYPE YPFR-0707-1

(A)=YPFR-0707-1
 (B)=YPFR-0707-1
 (C)=YPFR-0707-1

(D)=
 (E)=
 (F)=

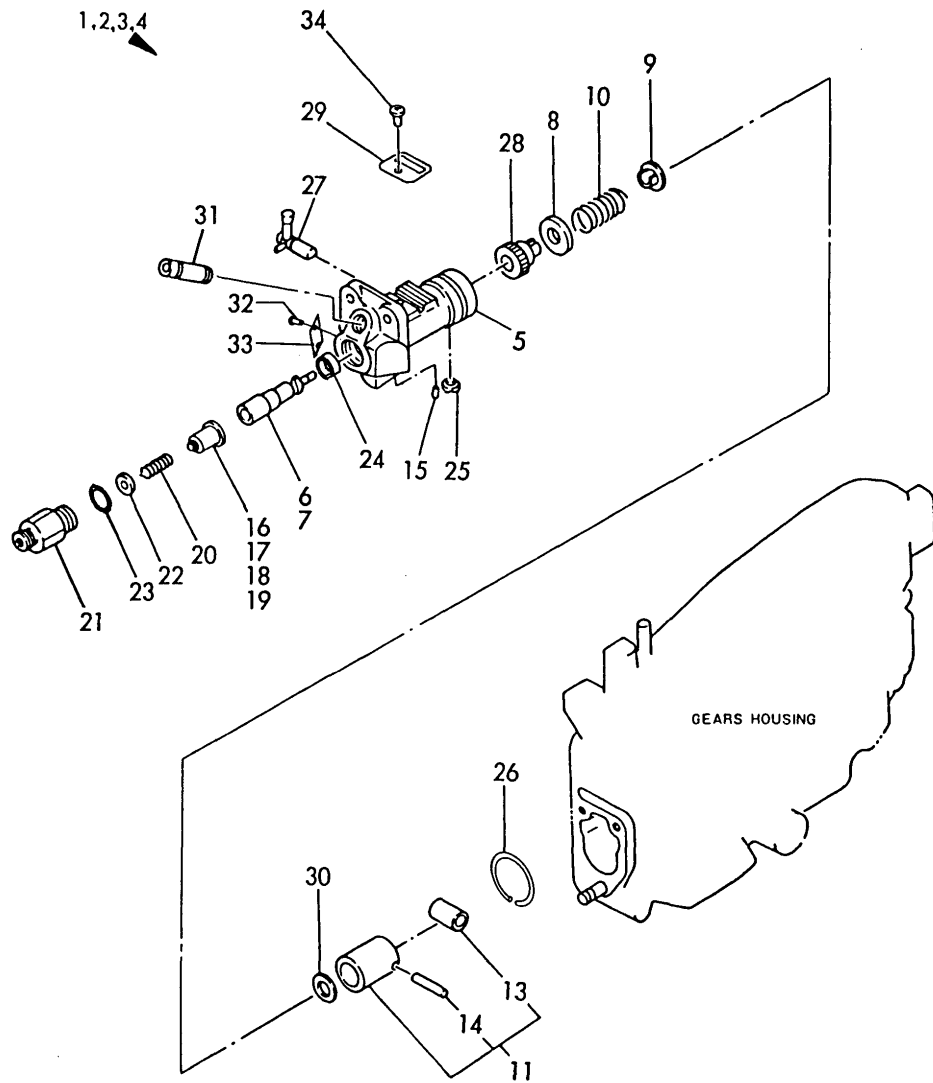
Fig. 8 FUEL INJECTION PUMP
 (TYPE : YPFR0707-1)



No.	Lev.	Parts No.	Description	Q'ty						I	R
				(A)	(B)	(C)	(D)	(E)	(F)		
1A	1	728170-51101	PUMP ASSY, INJECTION	1							
1B	1	728171-51100	PUMP ASSY, INJECTION		1						
2	1	728173-51100	PUMP ASSY, INJECTION			1					
3	2	128170-51010	BODY, FUEL PUMP	1	1	1					
4	2	128170-51101	PLUNGER ASSY	1	1						
5	2	121454-51100	PLUNGER ASSY				1				
6	2	174307-51170	RETAINER, SPRING A	1	1	1					
7	2	174307-51181	RETAINER, SPRING B	1	1	1					
8	2	124950-51190	SPRING, PLUNGER	1	1	1					
9	2	724550-51520	GUIDE, PLUNGER	1	1	1					
11	3	711100-51540	ROLLER ASSY	1	1	1					
12	3	174100-54120	PIN	1	1	1					
13	2	103854-51251	PIN, PLUNGER	1	1	1					
14	2	124950-51270	GASKET	1	1	1					
15	2	128170-51300	VALVE ASSY, DELIVERY	1	1	1					
16	2	124550-51320	SPRING, DELIVERY	1	1	1					
17	2	124550-51341	HOLDER, DELIVERY L43	1	1	1					
18	2	124550-51350	GASKET, DELIVERY	1	1	1					
19	2	124550-51370	O-RING	1	1	1					
20	2	104271-51450	PIECE, GUIDE	1	1	1					
21	2	104271-51460	CIRCLIP	1	1	1					
22	2	128170-51500	RACK ASSY, CONTROL	1	1	1					
23	2	124950-51510	PINION	1	1	1					
24	2	174307-51700	SHIM SET	1	1	1					
25	2	124220-51890	RIVET	2	2	2					

Fig.9. F.I.PUMP TYPE YPFR-0807-1

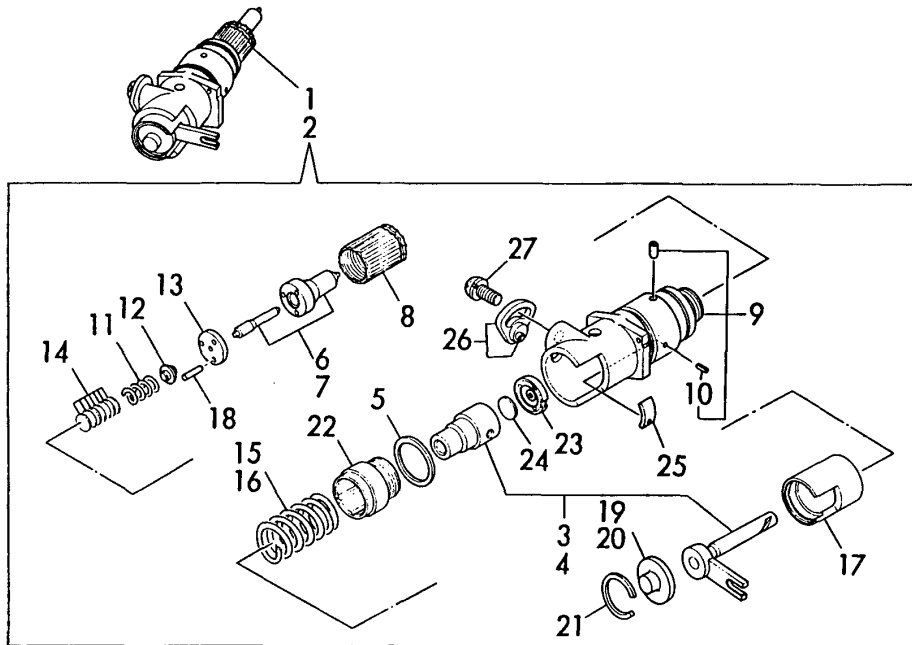
Fig. 9 FUEL INJECTION PUMP
(TYPE : YPFR-0807-1)



No.	Lev.	Parts No.	Description	Q'ty						I	R
				(A)	(B)	(C)	(D)	(E)	(F)		
1	1	705090-51100	PUMP ASSY, INJECTION	1							
2A	1	705100-51110	PUMP ASSY, INJECTION		1						
2B	1	705200-51110	PUMP ASSY, INJECTION			1					
3A	1	705300-51100	PUMP ASSY, INJECTION				1				
3A-1	1	705300-51101	PUMP ASSY, INJECTION					1			
3A-2	1	705300-51102	PUMP ASSY, INJECTION						1		
3B	1	705400-51100	PUMP ASSY, INJECTION					1			
3B-1	1	705400-51101	PUMP ASSY, INJECTION						1		
3B-2	1	705400-51102	PUMP ASSY, INJECTION							1	
4A	1	705500-51101	PUMP ASSY, INJECTION							1	
4A-1	1	705500-51102	PUMP ASSY, INJECTION								1
4A-2	1	705500-51103	PUMP ASSY, INJECTION								1
4B	1	705600-51101	PUMP ASSY, INJECTION							1	
4B-1	1	705600-51102	PUMP ASSY, INJECTION								1
4B-2	1	705600-51103	PUMP ASSY, INJECTION								1
5	2	105300-51010	BODY, FUEL PUMP	1	1	1	1				
5-1	2	105500-51010	BODY, FUEL PUMP	1	1	1	1				
5-2	2	105500-51011	BODY, FUEL PUMP	1	1	1	1				
6	2	105570-51100	PLUNGER ASSY	1	1	1					
6-1	2	105200-51100	PLUNGER ASSY	1	1	1					
7	2	105500-51100	PLUNGER ASSY							1	
7-1	2	105500-51600	PLUNGER ASSY								1
8	2	174307-51170	RETAINER, SPRING A	1	1	1	1				
9	2	174307-51181	RETAINER, SPRING B	1	1	1	1				
10	2	124950-51190	SPRING, PLUNGER	1	1	1	1				
11	2	724550-51520	GUIDE, PLUNGER	1	1	1	1				
13	3	711100-51540	ROLLER ASSY	1	1	1	1				
14	3	174100-54120	PIN	1	1	1	1				
15	2	103854-51251	PIN, PLUNGER	1	1	1	1				
16	2	128170-51300	VALVE ASSY, DELIVERY	1							
17	2	129100-51300	VALVE ASSY, DELIVERY		1						
17-1	2	128696-51300	VALVE ASSY, DELIVERY			1					
18	2	105300-51300	VALVE ASSY, DELIVERY					1			
18-1	2	129499-51300	VALVE ASSY, DELIVERY						1		
19	2	105300-51300	VALVE ASSY, DELIVERY							1	
20	2	124550-51320	SPRING, DELIVERY	1	1	1	1				
21	2	124550-51341	HOLDER, DELIVERY L43	1	1	1	1				
22	2	124550-51350	GASKET, DELIVERY	1	1	1	1				
23	2	124550-51370	O-RING	1	1	1	1				
24	2	105300-51400	DEFLECTOR	1	1	1	1				
25	2	104271-51450	PIECE, GUIDE	1	1	1	1				
26	2	104271-51460	CIRCLIP	1	1	1	1				
27	2	105300-51500	RACK, CONTROL	1	1	1	1				
28	2	105300-51510	PINION	1	1	1	1				
29	2	105300-51550	RETAINER, RACK	1	1	1	1				
30	2	174307-51700	SHIM SET	1	1	1	1				
31	2	105300-51800	JOINT	1	1	1	1				
32	2	124220-51890	RIVET	2	2	2	2				
34	2	26022-050102	SCREW, M5X10	1	1	1	1				

Fig.10. UNIT INJECTRE TYPE YU1-M

Fig. 10 FUEL INJECTION PUMP (TYPE : YU1-M)



(A)=YU1-M
(B)=YU1-M
(C)=

(D)=
(E)=
(F)=

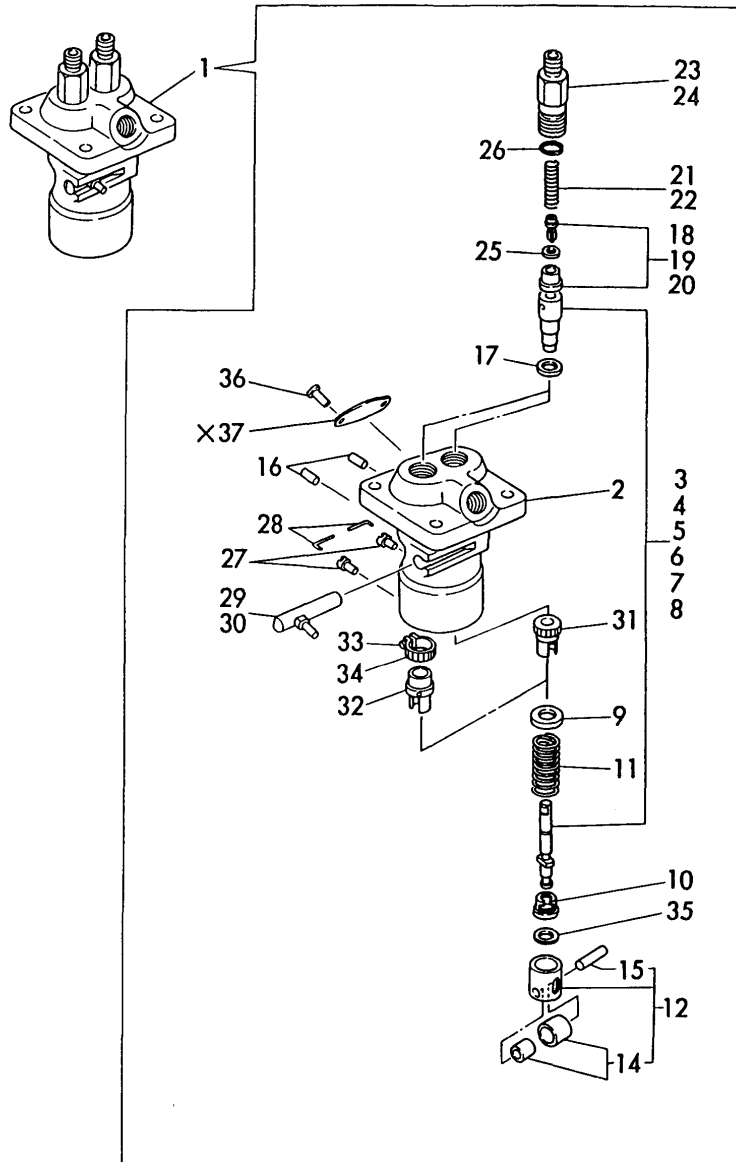
No.	Lev.	Parts No.	Description	Q'ty						I	R
				(A)	(B)	(C)	(D)	(E)	(F)		
1	1	720270-53501	INJECTOR ASSY	1							
2	1	720380-53500	VALVE ASSY,INJECTION		1						
2-1	1	720380-53501	INJECTOR ASSY		1						
3	2	120270-51100	PLUNGER ASSY	1							
4	2	120380-51100	PLUNGER ASSY		1						
4-1	2	120380-51101	PLUNGER ASSY		1						
5	2	172100-51290	GASKET	1	1						
6	2	120270-53000	VALVE ASSY,INJECTION	1							
7	2	120380-53000	VALVE ASSY,INJECTION		1						
7-1	2	120380-53001	VALVE ASSY,INJECTION		1						
8	2	114250-53080	NUT, NOZZLE D16.95	1	1						
9	2	120270-53091	BODY,INJECTOR	1	1						
10	3	22351-020004	PIN, SPRING 2.0X 4	1	1						
11	2	120270-53120	SPRING, NOZZLE	1	1						
12	2	120270-53130	SEAT, SPRING	1	1						
13	2	114250-53140	PLATE	1	1						
14	2	120270-53150	SHIM SET	1	1						
15	2	120270-53160	SPRING, PLUNGER	1							
16	2	120380-53160	SPRING, PLUNGER		1						
17	2	120270-53200	TAPPET	1	1						
18	2	114250-53210	PIN	2	2						
19	2	120270-53210	RETAINER SET	1							
20	2	120380-53210	RETAINER SET		1						
21	2	120270-53220	RING, SNAP	1	1						
22	2	120270-53260	HOLDER	1	1						
23	2	120270-53310	CASE	1	1						
24	2	120270-53320	VALVE, CHECK	1	1						
25	2	120270-53400	PROTECTOR, SPILL	1	1						
26	2	120270-53500	PLATE	1	1						
27	2	26023-050102	SCREW, M5X10	1	1						

Fig.11. F.I.PUMP TTPE YPFR-2K

(A)=YPFR-2K
(B)=YPFR-2K
(C)=YPFR-2K

(D)=YPFR-2K
(E)=YPFR-2K
(F)=YPFR-2K

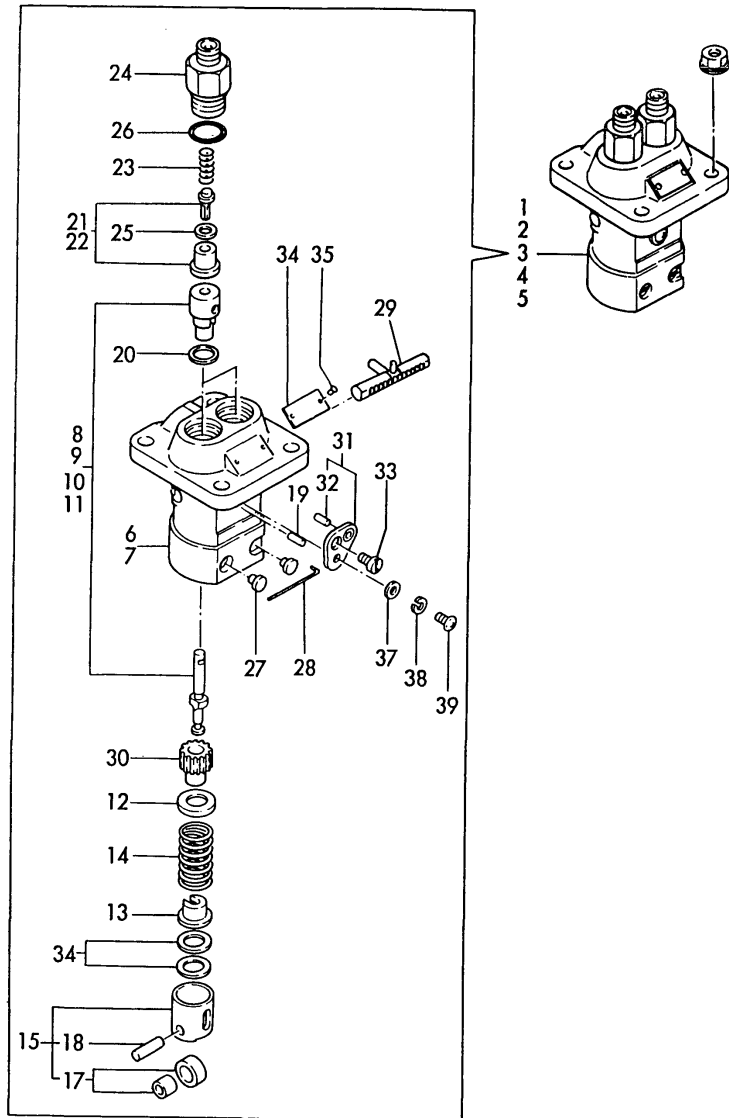
Fig. 11 FUEL INJECTION PUMP
(TYPE : YPFR-2K)



No.	Lev.	Parts No.	Description	Q'ty						I	R
				(A)	(B)	(C)	(D)	(E)	(F)		
1A	1	724060-51701	PUMP ASSY, INJECTION	1							
1B	1	724761-51701	PUMP ASSY, INJECTION		1						
1C	1	724660-51700	PUMP ASSY, INJECTION			1					
1D	1	724701-51700	PUMP ASSY, INJECTION					1			
1E	1	724070-51700	PUMP ASSY, INJECTION						1		
1F	1	724770-51700	PUMP ASSY, INJECTION								1
1F-1	1	724790-51700	PUMP ASSY, INJECTION								1
2	2	124550-51011	BODY, FUEL PUMP	1	1	1	1	1	1	1	1
3	2	124060-51100	PLUNGER ASSY	2							
4	2	124240-51100	PLUNGER ASSY		2						
5	2	124230-51100	PLUNGER ASSY			2					
6	2	124560-51100	PLUNGER ASSY					2			
7	2	124070-51100	PLUNGER ASSY						2		
8	2	124770-51100	PLUNGER ASSY								2
9	2	174307-51170	RETAINER, SPRING A	2	2	2	2	2	2	2	2
10	2	174307-51181	RETAINER, SPRING B	2	2	2	2	2	2	2	2
11	2	174307-51190	SPRING, PLUNGER	2	2	2	2	2	2	2	2
12	2	724550-51520	GUIDE, PLUNGER	2	2	2	2	2	2	2	2
14	3	711100-51540	ROLLER ASSY	2	2	2	2	2	2	2	2
15	3	174100-54120	PIN	2	2	2	2	2	2	2	2
16	2	174307-51250	PIN, LOCK	2	2	2	2	2	2	2	2
17	2	174307-51270	GASKET	2	2	2	2	2	2	2	2
18	2	124060-51300	VALVE ASSY, DELIVERY	2		2			2		
19	2	124550-51301	VALVE ASSY, DELIVERY		2			2			
20	2	121390-51300	VALVE ASSY, DELIVERY								2
21	2	124550-51320	SPRING, DELIVERY	2	2	2	2	2	2		
22	2	174307-51320	SPRING, DELIVERY								2
23	2	124550-51340	HOLDER, DELIVERY								2
24	2	124550-51341	HOLDER, DELIVERY L43	2	2	2	2	2	2		
25	2	124550-51350	GASKET, DELIVERY	2	2	2	2	2	2	2	2
26	2	124550-51370	O-RING	2	2	2	2	2	2	2	2
27	2	174307-51450	PIECE	2	2	2	2	2	2	2	2
28	2	174307-51460	PIN, LOCK	2	2	2	2	2	2	2	2
29	2	124240-51500	RACK, CONTROL	1	1	1	1	1			1
30	2	105425-51500	RACK ASSY, CONTROL							1	
31	2	174307-51510	SLEEVE	1	1	1	1	1	1	1	1
32	2	174307-51550	SLEEVE, PINION	1	1	1	1	1	1	1	1
33	2	122117-51560	SCREW	1	1	1	1	1	1	1	1
34	2	174307-51560	PINION	1	1	1	1	1	1	1	1
35	2	174307-51700	SHIM SET	2	2	2	2	2	2	2	2
36	2	124220-51890	RIVET	2	2	2	2	2	2	2	2

Fig.12. F.I.PUMP TYPE YPFR-0707-2

Fig. **12** FUEL INJECTION PUMP
(TYPE : YPFR-0707-2)



(A)=YPFR-0707-2
(B)=YPFR-0707-2
(C)=YPFR-0707-2

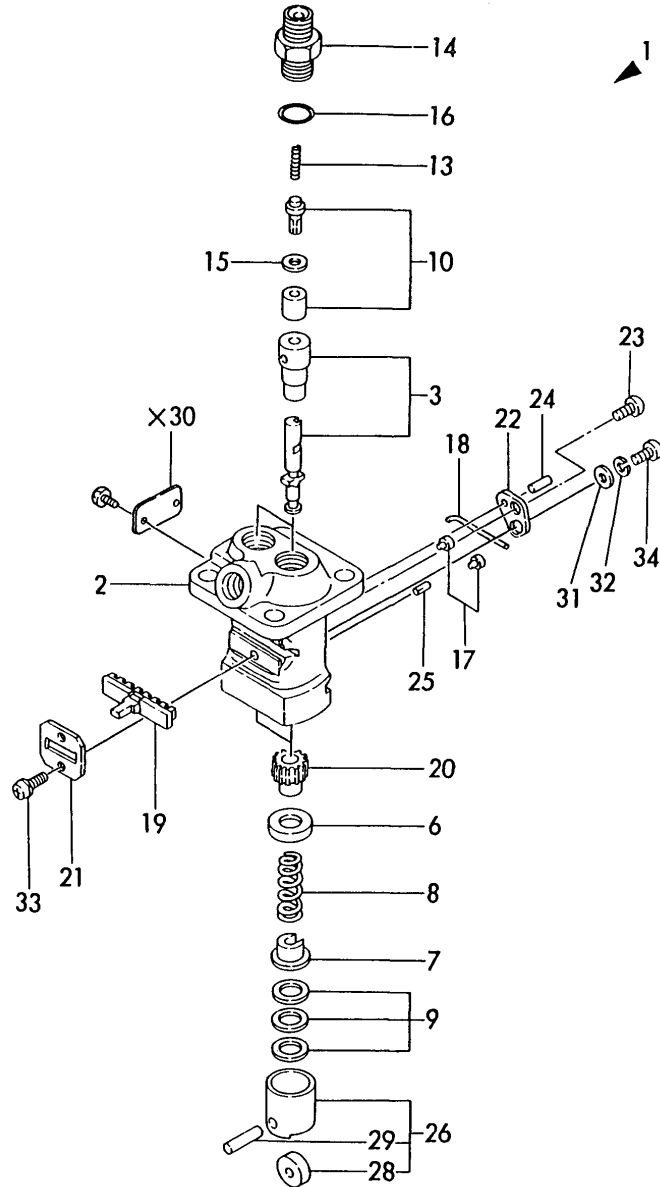
(D)=YPFR-0707-2
(E)=YPFR-0707-2
(F)=YPFR-0707-2

No.	Lev.	Parts No.	Description	Q'ty						I	R
				(A)	(B)	(C)	(D)	(E)	(F)		
1	1	724085-51700	PUMP ASSY, INJECTION	1							
2	1	724500-51700	PUMP ASSY, INJECTION		1						
3A	1	728270-51101	PUMP ASSY, INJECTION			1					
3B	1	728271-51100	PUMP ASSY, INJECTION							1	
4	1	724520-51700	PUMP ASSY, INJECTION				1				
5	1	724082-51100	PUMP ASSY, INJECTION						1		
6	2	105225-51010	BODY, FUEL PUMP	1			1				
7	2	124950-51010	BODY, FUEL PUMP		1	1		1	1		
8	2	121575-51100	PLUNGER ASSY		2						
9	2	124950-51100	PLUNGER ASSY	2				2			
10	2	128170-51101	PLUNGER ASSY			2				2	
11	2	121550-51100	PLUNGER ASSY				2				
12	2	174307-51170	RETAINER, SPRING A	2	2	2	2	2	2		
13	2	174307-51181	RETAINER, SPRING B	2	2	2	2	2	2		
14	2	124950-51190	SPRING, PLUNGER	2	2	2	2	2	2		
15	2	724550-51520	GUIDE, PLUNGER	2	2	2	2	2	2		
17	3	711100-51540	ROLLER ASSY	2	2	2	2	2	2		
18	3	174100-54120	PIN	2	2	2	2	2	2		
19	2	103854-51251	PIN, PLUNGER	1	1	1	1	1	1		
20	2	124950-51270	GASKET	2	2	2	2	2	2		
21	2	124060-51300	VALVE ASSY, DELIVERY	2	2		2				
22	2	128170-51300	VALVE ASSY, DELIVERY			2		2	2		
23	2	124550-51320	SPRING, DELIVERY	2	2	2	2	2	2		
24	2	124550-51341	HOLDER, DELIVERY L43	2	2	2	2	2	2		
25	2	124550-51350	GASKET, DELIVERY	2	2	2	2	2	2		
26	2	124550-51370	O-RING	2	2	2	2	2	2		
27	2	124950-51450	PIECE, GUIDE	2	2	2	2	2	2		
28	2	174307-51460	PIN, LOCK	1	1	1	1	1	1		
29	2	124085-51500	RACK, CONTROL	1	1	1	1	1	1		
30	2	124950-51510	PINION	2	2	2	2	2	2		
31	2	124950-51640	PLATE ASSY, ADJUST	1	1	1	1	1	1		
32	3	124950-51670	PIN	1	1	1	1	1	1		
33	2	103854-51660	SCREW	1	1	1	1	1	1		
34	2	174307-51700	SHIM SET	2	2	2	2	2	2		
35	2	124220-51890	RIVET	2	2	2	2	2	2		
37	2	22117-050000	WASHER, 5	1	1	1	1	1	1		
38	2	22217-050000	WASHER, SPRING 5	1	1	1	1	1	1		
39	2	26033-050102	SCREW, M5X10	1	1	1	1	1	1		

Remarks
C) D28270-51101

Fig.13. F.I.PUMP TYPE YPFR-0707M-2

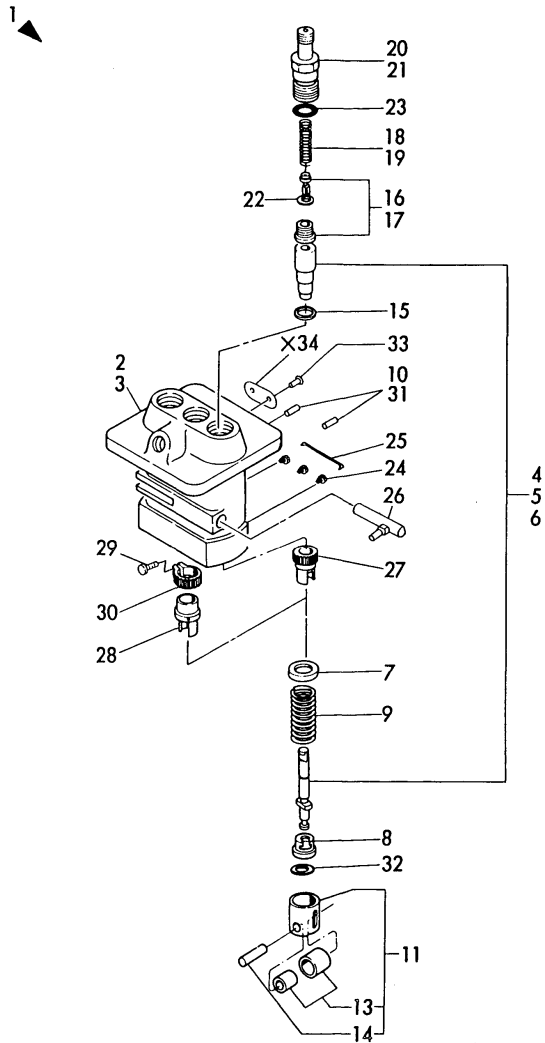
Fig. **13** FUEL INJECTION PUMP
(TYPE : YPFR-0707M-2)



No.	Lev.	Parts No.	Description	Q'ty						I	R
				(A)	(B)	(C)	(D)	(E)	(F)		
1	1	719305-51100	PUMP ASSY, INJECTION	1							
2	2	119305-51010	BODY, FUEL I. PUMP	1							
3	2	119225-51100	PLUNGER ASSY	2							
6	2	119620-51170	RETAINER, SPRING A	2							
7	2	119620-51180	RETAINER, SPRING B	2							
8	2	119620-51190	SPRING, PLUNGER	2							
9	2	119620-51250	SHIM SET	2							
10	2	119225-51300	VALVE ASSY, DELIVERY	2							
13	2	105546-51330	SPRING, DELIVERY	2							
14	2	119620-51340	HOLDER, DELIVERY	2							
15	2	119620-51350	GASKET	2							
16	2	119620-51370	O-RING	2							
17	2	119620-51450	PIECE	2							
18	2	174307-51460	PIN, LOCK	1							
19	2	119305-51500	RACK, CONTROL	1							
20	2	119620-51510	PINION	2							
21	2	119305-51530	RETAINER, RACK	1							
22	2	119620-51650	PLATE	1							
23	2	119620-51660	SCREW	1							
24	2	119620-51670	PIN	1							
25	2	119620-51680	PIN	1							
26	2	119620-51700	TAPPET ASSY	2							
28	3	119620-51220	ROLLER	2							
29	3	119620-51230	PIN, ROLLER	2							
31	2	22137-040000	WASHER, 4	1							
32	2	22217-040000	WASHER, SPRING 4	1							
33	2	26022-040082	SCREW, M4X 8	2							
34	2	26587-040102	SCREW, M4X10	1							

Fig.14. F.I.PUMP TYPE YPFR-3K

Fig. 14 FUEL INJECTION PUMP (TYPE : YPFR-3K)



(A)=YPFR-3K
(B)=YPFR-3K
(C)=YPFR-3K

(D)=YPFR-3K
(E)=
(F)=

No.	Lev.	Parts No.	Description	Qty						I	R
				(A)	(B)	(C)	(D)	(E)	(F)		
1A	1	721250-51700	PUMP ASSY, INJECTION	1							
1B	1	721420-51700	PUMP ASSY, INJECTION	1							
1C	1	721422-51700	PUMP ASSY, INJECTION	1							
1D	1	721158-51700	PUMP ASSY, INJECTION	1							
1E	1	721120-51700	PUMP ASSY, INJECTION	1							
1F	1	721400-51700	PUMP ASSY, INJECTION		1						
1G	1	721390-51700	PUMP ASSY, INJECTION				1				
1H	1	721370-51700	PUMP ASSY, INJECTION					1			
2	2	121150-51010	BODY, FUEL PUMP	1	1						
3	2	121250-51010	BODY, FUEL PUMP				1	1			
4	2	124240-51100	PLUNGER ASSY	3							
5	2	124560-51100	PLUNGER ASSY		3						
6	2	124770-51100	PLUNGER ASSY			3	3				
7	2	174307-51170	RETAINER, SPRING A	3	3	3	3				
8	2	174307-51181	RETAINER, SPRING B	3	3	3	3				
9	2	174307-51190	SPRING, PLUNGER	3	3	3	3				
10	2	174307-51250	PIN, LOCK				3	3			
11	2	724550-51520	GUIDE, PLUNGER	3	3	3	3				
13	3	711100-51540	ROLLER ASSY	3	3	3	3				
14	3	174100-54120	PIN	3	3	3	3				
15	2	174307-51270	GASKET	3	3	3	3				
16	2	124550-51301	VALVE ASSY, DELIVERY	3	3			3			
17	2	121390-51300	VALVE ASSY, DELIVERY					3			
18	2	124550-51320	SPRING, DELIVERY	3	3				3		
19	2	17403--51320	SPRING, DELIV. VALVE					3			
20	2	124550-51341	HOLDER, DELIVERY L43	3	3				3		
21	2	124550-51340	HOLDER, DELIVERY						3		
22	2	124550-51350	GASKET, DELIVERY	3	3	3	3				
23	2	124550-51370	O-RING	3	3	3	3				
24	2	174307-51450	PIECE	3	3	3	3				
25	2	121150-51460	PIN, GUIDE	1	1	1	1				
26	2	721150-51530	RACK ASSY, CONTROL	1	1	1	1				
27	2	174307-51510	SLEEVE	1	1	1	1				
28	2	174307-51550	SLEEVE, PINION	2	2	2	2				
29	2	122117-51560	SCREW	2	2	2	2				
30	2	174307-51560	PINION	2	2	2	2				
31	2	124950-51670	PIN	3	3						
32	2	174307-51700	SHIM SET	3	3	3	3				
33	2	124220-51890	RIVET	2	2	2	2				

Remarks

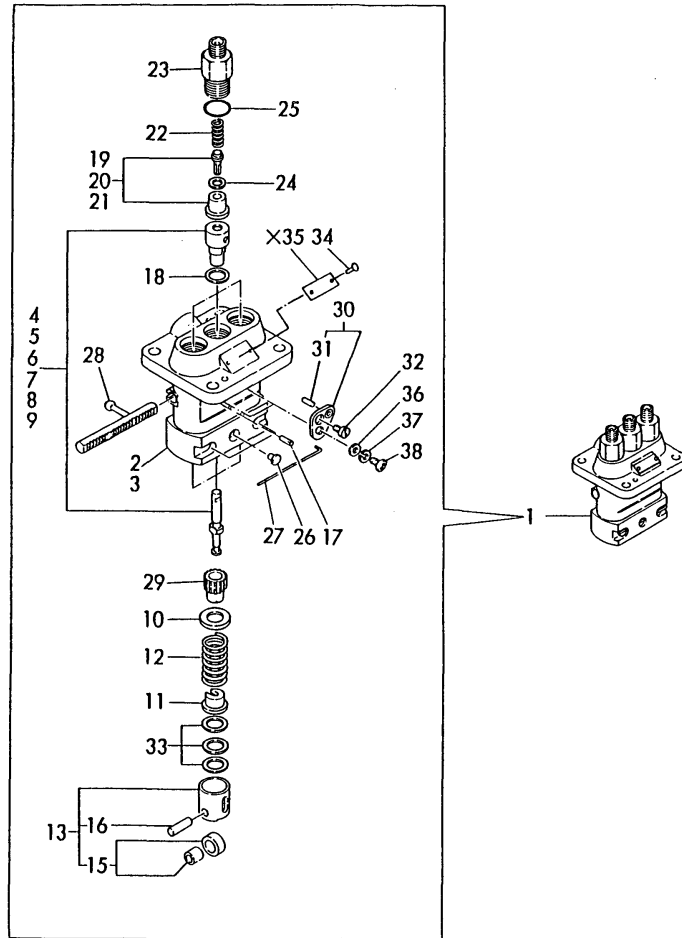
- A) D21420-51100, D21422-51100,
D21158-51100, D21120-51100,
D21250-51100
- B) D21400-51100
- C) D21390-51100
- D) D21370-51100

Fig.15. F.I.PUMP TYPE YPFR-0707-3

(A)=YPFR-0707-3
(B)=YPFR-0707-3
(C)=YPFR-0707-3

(D)=YPFR-0707-3
(E)=YPFR-0707-3
(F)=YPFR-0707-3

Fig. 15 FUEL INJECTION PUMP
(TYPE : YPFR-0707-3)



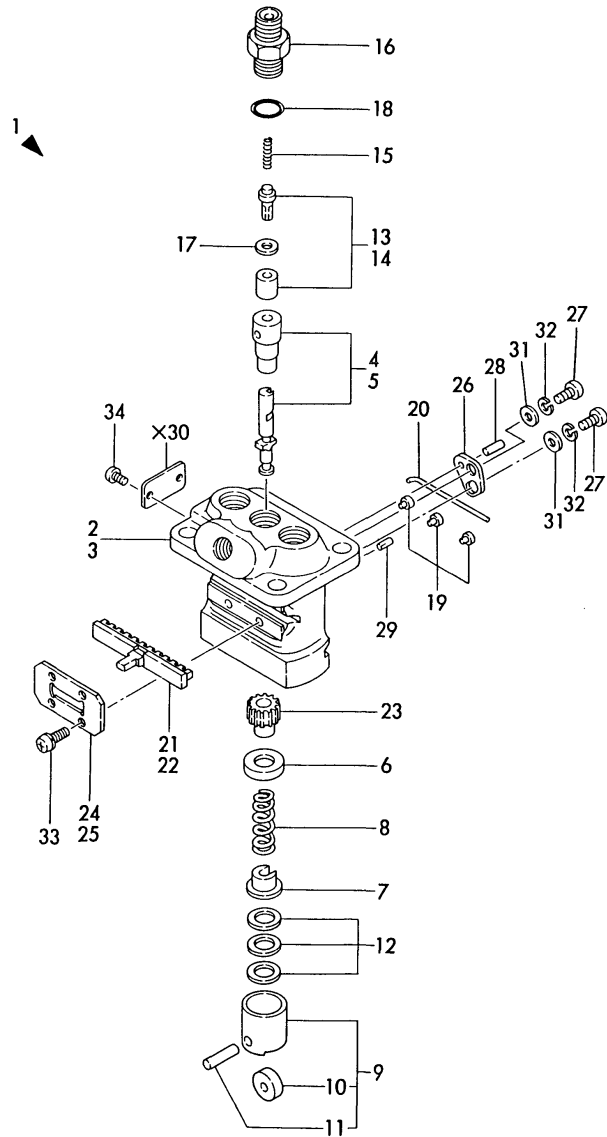
No.	Lev.	Parts No.	Description	Qty						I	R
				(A)	(B)	(C)	(D)	(E)	(F)		
1A	1	721454-51700	PUMP ASSY, INJECTION	1							
1B	1	721461-51700	PUMP ASSY, INJECTION		1						
1C	1	721085-51700	PUMP ASSY, INJECTION		1						
1D	1	721522-51700	PUMP ASSY, INJECTION				1				
1E	1	721550-51700	PUMP ASSY, INJECTION				1				
1F	1	721520-51700	PUMP ASSY, INJECTION				1				
1G	1	721500-51100	PUMP ASSY, INJECTION					1			
1H	1	728374-51100	PUMP ASSY, INJECTION						1		
1J	1	728370-51101	PUMP ASSY, INJECTION						1		
1K	1	728671-51100	PUMP ASSY, INJECTION								1
1L	1	728672-51100	PUMP ASSY, INJECTION								1
1M	1	728696-51100	PUMP ASSY, INJECTION								1
2	2	121450-51010	BODY ASSY, PUMP	1	1	1					
3	2	128370-51010	BODY, FUEL PUMP				1	1	1		
4	2	121454-51100	PLUNGER ASSY	3							
5	2	124950-51100	PLUNGER ASSY		3						
6	2	121550-51100	PLUNGER ASSY			3					
7	2	121575-51100	PLUNGER ASSY				3				
8	2	128170-51101	PLUNGER ASSY						3		
9	2	128696-51100	PLUNGER ASSY								3
10	2	174307-51170	RETAINER, SPRING A	3	3	3	3	3	3	3	
11	2	174307-51181	RETAINER, SPRING B	3	3	3	3	3	3	3	
12	2	124950-51190	SPRING, PLUNGER	3	3	3	3	3	3	3	
13	2	724550-51520	GUIDE, PLUNGER	3	3	3	3	3	3	3	
15	3	711100-51540	ROLLER ASSY	3	3	3	3	3	3	3	
16	3	174100-54120	PIN	3	3	3	3	3	3	3	
17	2	103854-51251	PIN, PLUNGER	1	1	1	1	1	1	1	
18	2	124950-51270	GASKET	3	3	3	3	3	3	3	
19	2	124060-51300	VALVE ASSY, DELIVERY	3	3	3	3				
20	2	128170-51300	VALVE ASSY, DELIVERY						3		
21	2	128696-51300	VALVE ASSY, DELIVERY								3
22	2	124550-51320	SPRING, DELIVERY	3	3	3	3	3	3	3	
23	2	124550-51341	HOLDER, DELIVERY L43	3	3	3	3	3	3	3	
24	2	124550-51350	GASKET, DELIVERY	3	3	3	3	3	3	3	
25	2	124550-51370	O-RING	3	3	3	3	3	3	3	
26	2	124950-51450	PIECE, GUIDE	3	3	3	3	3	3	3	
27	2	121150-51460	PIN, GUIDE	1	1	1	1	1	1	1	
28	2	121450-51500	RACK, CONTROL	1	1	1	1	1	1	1	
29	2	124950-51510	PINION	3	3	3	3	3	3	3	
30	2	124950-51640	PLATE ASSY, ADJUST	2	2	2	2	2	2	2	
31	3	124950-51670	PIN	2	2	2	2	2	2	2	
32	2	103854-51660	SCREW	2	2	2	2	2	2	2	
33	2	174307-51700	SHIM SET	3	3	3	3				
34	2	124220-51890	RIVET	2	2	2	2				
36	2	22117-050000	WASHER, 5	2	2	2	2	2	2	2	
37	2	22217-050000	WASHER, SPRING 5	2	2	2	2	2	2	2	
38	2	26587-050102	SCREW, M5X10	2	2	2	2	2	2	2	

Remarks
 B) D21085-51100, D21461-51100
 C) D21550-51100, D21520-51100,
 D21522-51100,
 A) D21454-51100
 D) D21500-51100
 E) D28374-51100
 F) D28671-51100, D28572-51100,
 D28696-51100,

Fig.16. F.I.PUMP TYPE YPFR-0707M-3

(A)=YPFR-0707M-3
 (B)=YPFR-0707M-3
 (C)=YPFR-0707M-3
 (D)=
 (E)=
 (F)=

Fig. 16 FUEL INJECTION PUMP
 (TYPE : YPFR-0707M-3)



No.	Lev.	Parts No.	Description	Q'ty						I	R
				(A)	(B)	(C)	(D)	(E)	(F)		
1A	1	719225-51100	PUMP ASSY, INJECTION	1							
1B	1	719225-51700	PUMP ASSY, INJECTION	1							
1C	1	719246-51100	PUMP ASSY, INJECTION	1							
1D	1	719620-51100	PUMP ASSY, INJECTION		1						
1E	1	719620-51700	PUMP ASSY, INJECTION		1						
1F	1	719621-51100	PUMP ASSY, INJECTION				1				
1G	1	719621-51700	PUMP ASSY, INJECTION				1				
1H	1	719660-51100	PUMP ASSY, INJECTION				1				
2	2	119620-51011	BODY, FUEL PUMP		1						
3	2	119660-51010	BODY, FUEL PUMP	1		1					
4	2	119620-51101	PLUNGER ASSY		3	3					
5	2	119225-51100	PLUNGER ASSY	3							
6	2	119620-51170	RETAINER, SPRING A	3	3	3					
7	2	119620-51180	RETAINER, SPRING B	3	3	3					
8	2	119620-51190	SPRING, PLUNGER	3	3	3					
9	2	119620-51700	TAPPET ASSY	3	3	3					
10	3	119620-51220	ROLLER	3	3	3					
11	3	119620-51230	PIN, ROLLER	3	3	3					
12	2	119620-51250	SHIM SET	3	3	3					
13	2	119620-51300	VALVE ASSY, DELIVERY		3	3					
14	2	119225-51300	VALVE ASSY, DELIVERY	3							
15	2	105546-51330	SPRING, DELIVERY	3	3	3					
16	2	119620-51340	HOLDER, DELIVERY	3	3	3					
17	2	119620-51350	GASKET	3	3	3					
18	2	119620-51370	O-RING	3	3	3					
19	2	119620-51450	PIECE	3	3	3					
20	2	119620-51460	PIN			1					
20-1	2	119620-51461	PIN	1	1	1					
21	2	119620-51500	RACK, CONTROL			1					
22	2	119660-51500	RACK, CONTROL	1		1					
23	2	119620-51510	PINION	3	3	3					
24	2	119620-51530	RETAINER, RACK			1					
25	2	119660-51530	RETAINER, RACK	1		1					
26	2	119620-51650	PLATE	2	2	2					
27	2	119620-51660	SCREW	2	2	2					
28	2	119620-51670	PIN	2	2	2					
29	2	119620-51680	PIN	1	1	1					
31	2	22137-040000	WASHER, 4	2	2	2					
32	2	22217-040000	WASHER, SPRING 4	2	2	2					
33	2	26022-040082	SCREW, M4X 8	4	4	4					
34	2	26587-040102	SCREW, M4X10	2	2	2					

Remarks
 A) D19225-51100, D19246-51100
 B) D19620-51100
 C) D19621-51100, D19660-51100

Parts No. Index

Parts No.	Fig. No.	Ref. No.
101104-51101	1	8
101158-51010	1	6
101158-51030	1	7
101204-51140	1	12
101204-51170	1	15
101300-51300	1	21
101300-51330	1	22
101400-51160	1	14
101720-55750	2	61
102100-51150	1	13
102501-51100	1	9
102501-51170	1	16
102700-51100	1	10
103200-51250	3	12
103854-51020	5	7
	7	7
103854-51100	7	9
103854-51160	5	11
	7	12
103854-51170	5	12
	7	14
103854-51180	5	13
	7	16
103854-51200	5	17
	7	18
		20
103854-51230	5	19
	7	22
103854-51251	2	22
	5	20
	7	54
	8	13
	9	15
	12	19
	15	17
103854-51300	5	23
	7	25
103854-51341	5	29
	7	29
103854-51350	5	31
	7	31
103854-51450	5	35
	7	34
103854-51460	5	37
	7	36
103854-51510	5	41
	7	40
103854-51600	5	43
	7	42
103854-51610	5	44

Parts No.	Fig. No.	Ref. No.
103854-51610	7	43
103854-51620	5	45
	7	44
103854-51650	5	47
	7	45
103854-51660	5	49
	7	46
	12	33
	15	32
103854-51940	5	66
	7	55
103954-51501	7	38
104200-51100	1	11
104200-51170	1	17
104200-51450	1	27
104200-51460	1	28
104271-01950	7	56
104271-51010	7	8
104271-51100	7	10
104271-51450	6	18
	7	35
	8	20
	9	25
104271-51460	6	19
	7	37
	8	21
	9	26
104271-51500	7	39
104571-51100	7	11
105200-51100	9	6 -1
105225-51010	12	6
105300-51010	9	5
105300-51300	9	18
		19
105300-51400	9	24
105300-51500	9	27
105300-51510	9	28
105300-51550	9	29
105300-51800	9	31
105425-51500	11	30
105500-51010	9	5 -1
105500-51011	9	5 -2
105500-51100	9	7
105500-51600	9	7 -1
105546-51010	6	2
105546-51020	4	5
	6	3
105546-51030	6	4
105546-51100	6	5
105546-51140	6	8

Parts No.	Fig. No.	Ref. No.
105546-51150	6	9
105546-51170	6	6
105546-51190	6	7
105546-51300	6	14
105546-51330	4	14
	6	15
	13	13
	16	15
105546-51340	6	16
105546-51550	6	20
105546-51600	6	21
105546-51610	6	22
105546-51900	6	25
105570-51100	9	6
105700-51100	5	8
105700-51300	5	24
105890-51650	5	48
105891-51500	5	38
105990-51011	5	6
105990-51100	2	10
	5	9
105990-51180	2	12
	5	14
105990-51190	2	14
	5	15
105990-51200	5	16
105990-51250	5	21
105990-51290	5	22
105990-51340	5	30
105990-51400	5	34
105990-51450	5	36
105990-51500	5	39
105990-51550	5	42
105990-51621	5	46
106990-51101	5	10
111154-51900	5	52
	7	49
114250-51080	4	6
114250-51150	4	7
114250-51160	4	8
114250-51200	4	9 B
114250-51300	4	12
114250-51340	4	15
114250-51600	4	17
114250-51640	4	18
114250-51650	4	19
114250-53080	10	8
114250-53140	10	13
114250-53210	10	18
114350-51200	4	10 B

Parts No.	Fig. No.	Ref. No.
114650-51100	4	11 B
114650-51300	4	13
119225-51100	13	3
	16	5
119225-51300	13	10
	16	14
119305-51010	13	2
119305-51500	13	19
119305-51530	13	21
119620-51011	16	2
119620-51101	16	4
119620-51170	13	6
	16	6
119620-51180	13	7
	16	7
119620-51190	13	8
	16	8
119620-51220	13	28
	16	10
119620-51230	13	29
	16	11
119620-51250	13	9
	16	12
119620-51300	16	13
119620-51340	13	14
	16	16
119620-51350	13	15
	16	17
119620-51370	13	16
	16	18
119620-51450	13	17
	16	19
119620-51460	16	20
119620-51461	16	20 -1
119620-51500	16	21
119620-51510	13	20
	16	23
119620-51530	16	24
119620-51650	13	22
	16	26
119620-51660	13	23
	16	27
119620-51670	13	24
	16	28
119620-51680	13	25
	16	29
119620-51700	13	26
	16	9
119660-51010	16	3
119660-51500	16	22

Parts No. Index

Parts No.	Fig. No.	Ref. No.
119660-51530	16	25
120220-51340	2	30
120220-51520	2	41
120220-51900	3	19
120270-51100	10	3
120270-53000	10	6
120270-53091	10	9
120270-53120	10	11
120270-53130	10	12
120270-53150	10	14
120270-53160	10	15
120270-53200	10	17
120270-53210	10	19
120270-53220	10	21
120270-53260	10	22
120270-53310	10	23
120270-53320	10	24
120270-53400	10	25
120270-53500	10	26
120380-51100	10	4
120380-51101	10	4 -1
120380-53000	10	7
120380-53001	10	7 -1
120380-53160	10	16
120380-53210	10	20
121150-51010	14	2
121150-51460	14	25
	15	27
121250-51010	14	3
121390-51300	11	20
	14	17
121450-51010	15	2
121450-51500	15	28
121454-51100	8	5
	15	4
121550-51100	12	11
	15	6
121575-51100	12	8
	15	7
121952-51300	2	26
	5	25
121952-51330	2	28
	5	28
121952-51370	2	35
	5	33
122117-51300	3	14
122117-51330	2	27
122117-51350	3	17
122117-51560	11	33
	14	29

Parts No.	Fig. No.	Ref. No.
122310-51091	2	6
122310-51100	2	9
122310-51501	2	38
122310-51540	2	44
122310-51550	2	46
122310-51570	2	49
122310-51640	2	54
122500-51551	2	46 -3
122500-51580	2	51
122500-51640	2	54 -1
122510-51250	2	21
122510-51530	2	42
122510-51560	2	47
122710-51350	5	32
123110-51100	2	8
123110-51200	2	17
123110-51240	2	20
123110-51510	2	39
123220-51092	2	5
		7
123220-51340	2	29
123220-51502	2	37
123220-51550	2	46 -1
123220-51551	2	46 -2
123220-51552	2	45
123220-51600	2	43
123220-51620	2	50
123220-51630	2	53
123220-51631	2	53 -1
123310-51650	2	56
123320-51640	2	55
123340-51020	2	63
123340-51100	2	10 -1
123340-51180	2	12 -1
123340-51200	2	19
123340-51250	2	65
123340-51260	2	66
123340-51290	2	16
123340-51400	2	36
123340-51550	2	40
123345-51340	2	32
124060-51100	11	3
124060-51300	7	26
	11	18
	12	21
	15	19
124070-51100	11	7
124085-51500	12	29
124210-51170	2	15
124210-51200	2	18

Parts No.	Fig. No.	Ref. No.
124210-51560	2	48
124220-51890	2	59
	5	51
	6	24
	7	48
	8	25
	9	32
	11	36
	12	35
	14	33
	15	34
124230-51100	11	5
124240-51100	11	4
	14	4
124240-51500	11	29
124410-51341	2	31
124410-51350	2	34
124412-51300	5	26
124550-51011	11	2
124550-51301	11	19
	14	16
124550-51320	7	28
	8	16
	9	20
	11	21
	12	23
	14	18
	15	22
124550-51340	11	23
	14	21
124550-51341	7	30
	8	17
	9	21
	11	24
	12	24
	14	20
	15	23
124550-51350	4	16
	6	17
	7	32
	8	18
	9	22
	11	25
	12	25
	14	22
	15	24
124550-51370	7	33
	8	19
	9	23
	11	26

Parts No.	Fig. No.	Ref. No.
124550-51370	12	26
	14	23
	15	25
124560-51100	11	6
	14	5
124770-51100	11	8
	14	6
124950-51010	12	7
124950-51100	12	9
	15	5
124950-51190	6	12
	7	13
	8	8
	9	10
	12	14
	15	12
124950-51270	7	24
	8	14
	12	20
	15	18
124950-51450	12	27
	15	26
124950-51510	7	41
	8	23
	12	30
	15	29
124950-51640	12	31
	15	30
124950-51670	12	32
	14	31
	15	31
125110-51200	3	11
125110-51510	3	7
125110-51630	3	32
125110-51650	2	57
	3	36
125110-51800	3	22
125110-51950	3	21
125310-51091	3	1 D
125310-51100	3	2 A
125310-51502	3	8 A
125310-51531	3	25
125310-51540	3	26
125310-51561	3	27
125310-51571	3	28
125310-51620	2	52
	3	30
125310-51640	3	34 A
125310-66280	3	29
125335-51330	3	15

Parts No. Index

Parts No.	Fig. No.	Ref. No.
125335-51341	3	16
125335-51671	3	18
125410-51090	3	1 E
125410-51500	3	8 B
125410-51551	3	9
125410-51640	3	34 B
125410-51850	2	58
	3	10
125413-51050	3	1 F
126410-51100	3	2 B
126410-51500	3	8 C
128170-51010	8	3
128170-51101	8	4
	12	10
	15	8
128170-51300	8	15
	9	16
	12	22
	15	20
128170-51500	8	22
128370-51010	15	3
128696-51100	15	9
128696-51300	9	17 -1
	15	21
129100-51300	9	17
129499-51300	9	18 -1
135210-61090	2	68
	3	23
135210-61100	2	67
	3	24
171590-51420	1	29
171590-51430	1	30
172100-51171	1	18
172100-51190	1	19
172100-51290	1	20
	10	5
172100-51340	1	23
172100-55620	2	62
17403--51320	14	19
174100-51440	1	26
174100-54120	7	23
	8	12
	9	14
	11	15
	12	18
	14	14
	15	16
174100-54190	6	27
174200-51161	2	11
174200-51180	2	13

Parts No.	Fig. No.	Ref. No.
174200-51260	2	23
174200-51280	2	24
174200-51300	2	25
174200-51350	2	33
174307-51170	6	10
	7	15
	8	6
	9	8
	11	9
	12	12
	14	7
	15	10
174307-51181	6	11
	7	17
	8	7
	9	9
	11	10
	12	13
	14	8
	15	11
174307-51190	11	11
	14	9
174307-51200	6	13
174307-51250	11	16
	14	10
174307-51270	11	17
	14	15
174307-51320	5	27
	7	27
	11	22
174307-51450	11	27
	14	24
174307-51460	11	28
	12	28
	13	18
174307-51510	11	31
	14	27
174307-51550	11	32
	14	28
174307-51560	11	34
	14	30
174307-51700	5	50
	6	23
	7	47
	8	24
	9	30
	11	35
	12	34
	14	32
	15	33

Parts No.	Fig. No.	Ref. No.
180110-51160	3	3
180110-51170	3	5
180110-51180	3	4
180110-51270	3	6
180110-51910	2	60
	3	20
	5	53
	7	50
183250-51200	4	9 A
183350-51200	4	10 A
183650-51100	4	11 A
22117-040000	6	28
22117-050000	5	59
	7	51
	12	37
	15	36
22137-040000	13	31
	16	31
22137-050000	5	60
22217-040000	6	29
	13	32
	16	32
22217-050000	5	61
	7	52
	12	38
	15	37
22232-050000	2	69
	3	31
22282-080000	6	30
22351-020004	10	10
22351-020006	4	20
22351-030008	4	21
22621-200200	2	70
	3	35
23414-060000	3	13
23414-080012	2	71
24312-000060	5	62
24312-000210	2	72
	5	63
26022-040082	13	33
	16	33
26022-050102	9	34
26023-050102	10	27
26033-050102	5	64
	12	39
26541-050062	3	33
26547-050062	2	73
26557-040102	6	31
26557-050082	5	65
	7	53

Parts No.	Fig. No.	Ref. No.
26587-040102	13	34
	16	34
26587-050102	15	38
26726-080002	6	32
26776-100002	2	74
43400-500390	6	33
704100-51700	1	1
704200-51550	1	24
704200-51700	1	2
704271-51700	7	2
704300-51700	1	3
704500-51700	1	4
704571-51700	7	3
704700-51700	1	5
704800-51700	7	1
705090-51100	9	1
705100-51110	9	2 A
705200-51110	9	2 B
705300-51100	9	3 A
705300-51101	9	3 A-1
705300-51102	9	3 A-2
705400-51100	9	3 B
705400-51101	9	3 B-1
705400-51102	9	3 B-2
705500-51101	9	4 A
705500-51102	9	4 A-1
705500-51103	9	4 A-2
705546-51700	6	1
705600-51101	9	4 B
705600-51102	9	4 B-1
705600-51103	9	4 B-2
705700-51100	5	1
705800-51100	5	2
705890-51700	5	3
705990-51701	5	5
706990-51530	5	40
706990-51700	5	4
711100-51540	5	18
	7	21
	8	11
	9	13
	11	14
	12	17
	14	13
	15	15
714250-51710	4	1 B
714350-51710	4	2 B
714550-51700	4	3 B
714650-51700	4	4 B
719225-51100	16	1 A

Parts No. Index

Parts No.	Fig. No.	Ref. No.
719225-51700	16	1 B
719246-51100	16	1 C
719305-51100	13	1
719620-51100	16	1 D
719620-51700	16	1 E
719621-51100	16	1 F
719621-51700	16	1 G
719660-51100	16	1 H
720270-53501	10	1
720380-53500	10	2
720380-53501	10	2 -1
721085-51700	15	1 C
721120-51700	14	1 E
721150-51530	14	26
721158-51700	14	1 D
721250-51700	14	1 A
721370-51700	14	1 H
721390-51700	14	1 G
721400-51700	14	1 F
721420-51700	14	1 B
721422-51700	14	1 C
721454-51700	15	1 A
721461-51700	15	1 B
721500-51100	15	1 G
721520-51700	15	1 F
721522-51700	15	1 D
721550-51700	15	1 E
722310-51100	2	2
723220-51100	2	1
723340-51100	2	3
723340-51101	2	3 -1
723345-51100	2	4
724060-51701	11	1 A
724070-51700	11	1 E
724082-51100	12	5
724085-51700	12	1
724500-51700	12	2
724520-51700	12	4
724550-51520	7	19
	8	9
	9	11
	11	12
	12	15
	14	11
	15	13
724660-51700	11	1 C
724701-51700	11	1 D
724761-51701	11	1 B
724770-51700	11	1 F
724790-51700	11	1 F-1

Parts No.	Fig. No.	Ref. No.
725310-51704	3	1 A
725410-51702	3	1 B
725413-51702	3	1 C
728170-51101	8	1 A
728171-51100	8	1 B
728173-51100	8	2
728270-51101	12	3 A
728271-51100	12	3 B
728370-51101	15	1 J
728374-51100	15	1 H
728671-51100	15	1 K
728672-51100	15	1 L
728696-51100	15	1 M
783250-51701	4	1 A
783350-51701	4	2 A
783550-51700	4	3 A
783650-51700	4	4 A

Parts No.	Fig. No.	Ref. No.
-----------	----------	----------

Parts No.	Fig. No.	Ref. No.
-----------	----------	----------